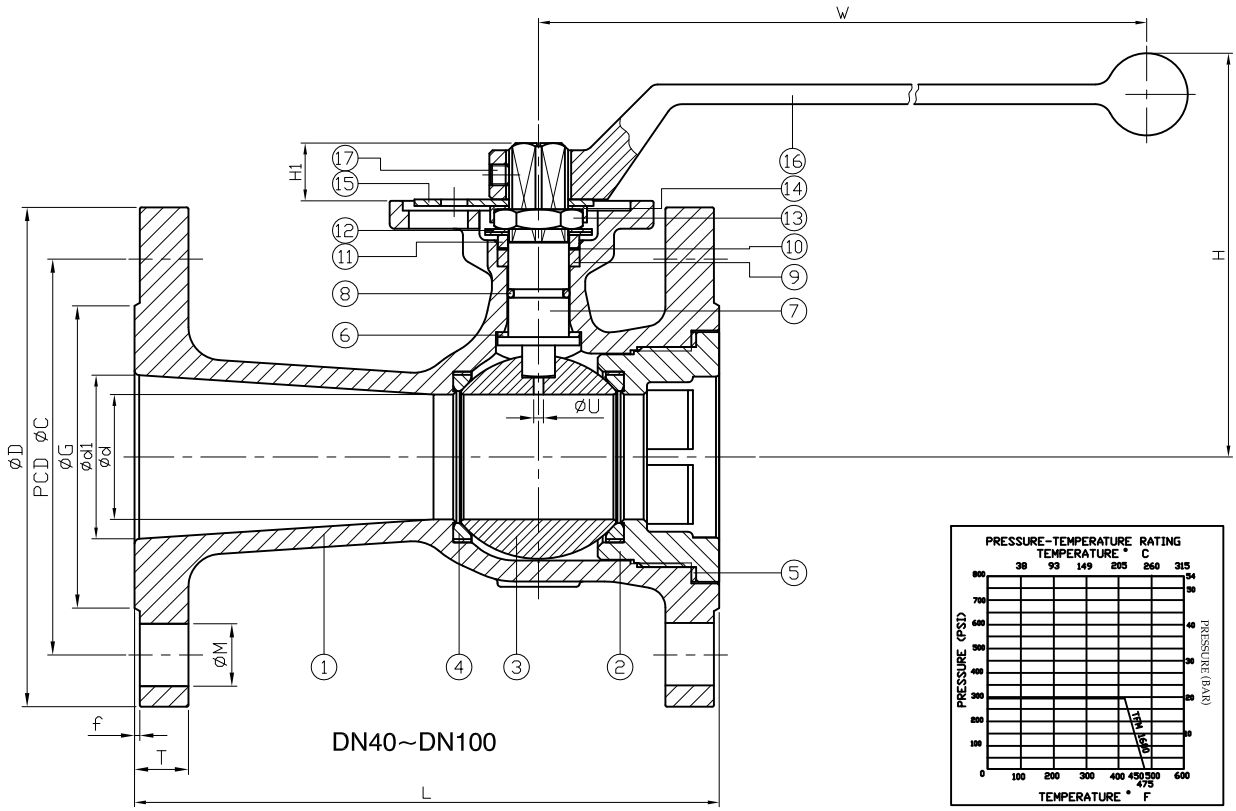


Ra	0.2	▽▽▽
▽	1.6	▽▽
▽	6.3	▽
▽	25	▽
GENERAL TOLERANCE	± 0.1 0.5~5 6~30 31~120 121~320 321~1000	± 0.2 ± 0.3 ± 0.5 ± 0.8

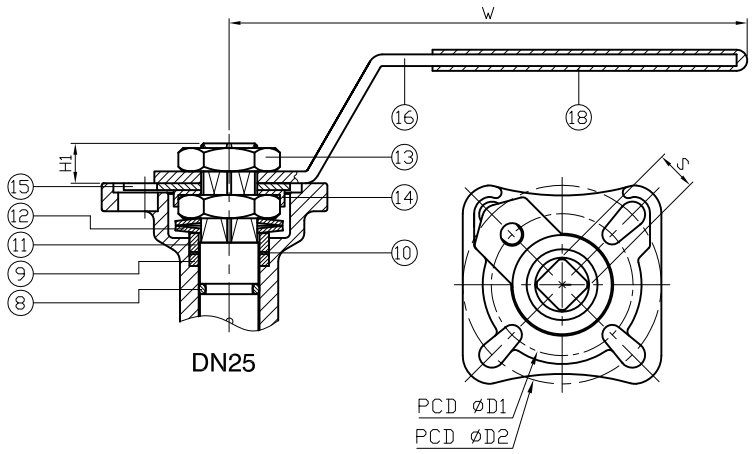
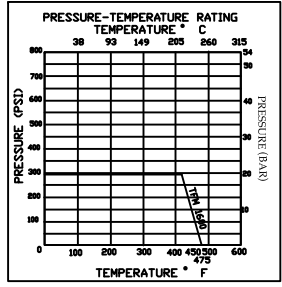
E-mail:sales@ohiovalve.com
 Drive Batavia,OH 45103 www.ohiovalve.com
 Fax:513-752-8267

Ohio Valve Company
 4061 Clough Woods
 Tel:513-752-5600



Fire Safe Certified to API 607

ITEM	PARTS	MATERIAL
1	BODY	ASTM A216-WCB
2	RETAINER	
3	BALL	ASTM A351-CF8M
4	SEAT	TFM 1600
5	SEAL	GRAPHITE
6	THRUST WASHER	CTFE
7	STEM	ASTM A276-316
8	O-RING	VITON
9	PACKING A	GRAPHITE
10	PACKING B	CTFE
11	GLAND RING	AISI 304
12	BELLEVILLE WASHER	AISI 301
13	STEM NUT	AISI 304
14	LOCKING WASHER	
15	STOPPER	
16	HANDLE	STAINLESS STEEL
17	SOCKET SET SCREWS	AISI 304
18	HANDLE SLEEVE	PVC



DN	d	d1	G	C	D	L	H	H1	W	T	f	S	D1	D2	M	U	Torque (N-m)		Weight (kg)
																	Breakaway	Action	
25	20	25	51	79.5	108	127	96	8	140	11.1	1.6	9	36	42	16	3	9.8	5.9	2
40	30	40	73	98.5	127	165	101	10.5	197.5	14.3	1.6	11	42	50	16	3	20.8	11.7	4
50	38	50	92	120.5	152	178	123	14	247.5	15.8	1.6	14	50	70	19	3	29.9	20.8	6.8
65	50	64	105	139.5	178	190.5	136	15.5	247.5	17.6	1.6	14	50	70	19	3	37.7	26	9.7
80	64	76	127	152.5	190.5	203	155	18.5	340	19.1	1.6	17	70	102	19	3	48.1	36.4	15.2
100	76	100	157	190.5	229	229	170	20	340	24	1.6	17	70	102	19	3	55.9	45.5	23

NPS	d	d1	G	C	D	L	H	H1	W	T	f	S	D1	D2	M	U	Torque (in-lb)		Weight (lb)
																	Breakaway	Action	
1"	0.79	0.98	2.01	3.13	4.25	5	3.79	0.31	5.51	0.44	0.06	0.35	1.42	1.65	0.63	0.12	86.7	52.2	4.4
1-1/2"	1.18	1.57	2.87	3.88	5	6.5	3.97	0.41	7.78	0.56	0.06	0.43	1.65	1.97	0.63	0.12	184.1	103.6	8.8
2"	1.5	1.97	3.62	4.74	5.98	7.01	4.84	0.55	9.74	0.62	0.06	0.55	1.97	2.76	0.75	0.12	264.6	184.1	15
2-1/2"	1.97	2.52	4.13	5.49	7.01	7.5	5.35	0.61	9.74	0.69	0.06	0.55	1.97	2.76	0.75	0.12	333.7	230.1	21.4
3"	2.52	2.99	5	6	7.5	7.99	6.11	0.73	13.39	0.75	0.06	0.67	2.76	4.02	0.75	0.12	425.7	322.2	33.5
4"	2.99	3.94	6.18	7.5	9.02	9.02	6.7	0.79	13.39	0.94	0.06	0.67	2.76	4.02	0.75	0.12	494.8	402.7	50.7



CHECK BY	DRAWING BY	DATE	SPECIFICATION	1-PC Flanged Ene Ball Valve Class 150
	<i>Sammy</i>	Nov.27.2014	MATERIAL	WCB
			PROCESS/Nr.	
			UNIT / SCALE	mm

△			
△			
△			
Revise	Description	Date	Approve
DRAWING NO. 156R-150DM			