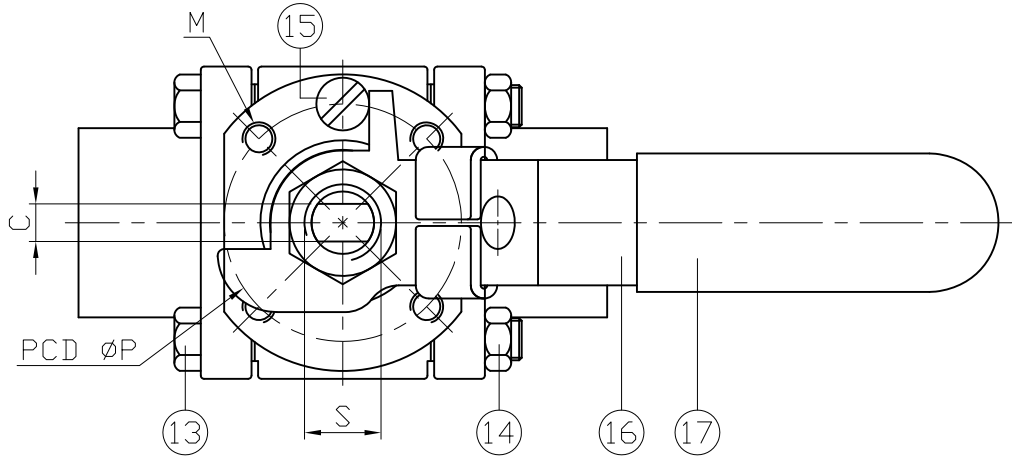


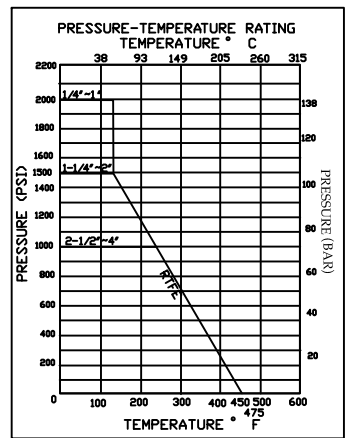
Ra	0.2	▽▽▽
	1.6	▽▽
	6.3	▽
	25	▽

GENERAL TOLERANCE	± 0.1
	± 0.2
	± 0.3
	± 0.5
	± 0.8

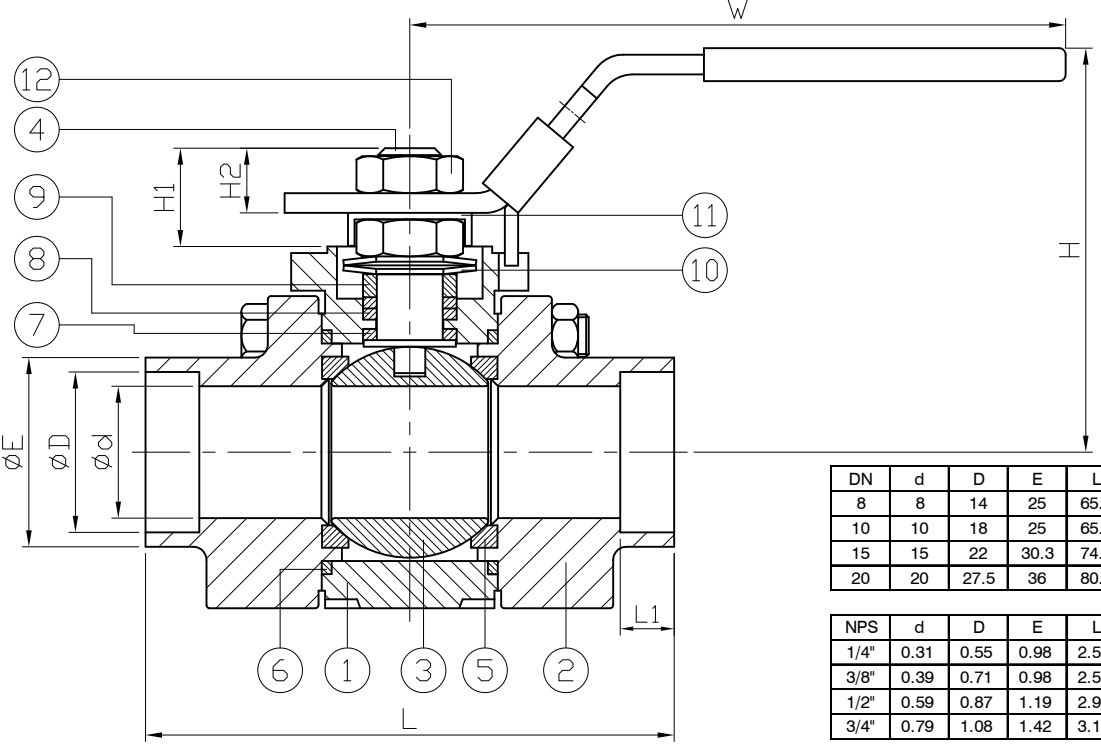
E-mail:sales@ohiovalve.com
 Drive Batavia,OH 45103 www.ohiovalve.com
 Ohio Valve Company
 4061 Clough Woods
 Tel:513-752-5600 Fax:513-752-8267



Fire Safe Certified to API 607



ITEM	PARTS	MATERIAL
1	BODY	ASTM A216-WCB
2	CAP	
3	BALL	ASTM A351-CF8M
4	STEM	ASTM A276-316
5	SEAT	RTFE
6	GASKET	GRAPHITE
7	THRUST WASHER	CTFE
8	PACKING	GRAPHITE
9	GLAND RING	AISI 304
10	DISC SPRING	AISI 301
11	LOCK PAD	ASTM A167-304
12	STEM NUT	ASTM A194-8A
13	BOLT	ASTM A193-B8A
14	NUT	ASTM A194-8A
15	STOP PIN	AISI 304
16	HANDLE	STAINLESS STEEL
17	HANDLE SLEEVE	PVC



DN	d	D	E	L	L1	H	H1	H2	W	C	P	ISO 5211	M	S	Torque (N-M)	Weight (kg)
8	8	14	25	65.7	10	57	12.1	9.8	113.5	5.7	36	F03	M5*0.8	3/8"-24UNF	3.8	0.7
10	10	18	25	65.7	10	57	12.1	9.8	113.5	5.7	36	F03	M5*0.8	3/8"-24UNF	3.8	0.7
15	15	22	30.3	74.8	10	57	12.1	9.8	113.5	5.7	36	F03	M5*0.8	3/8"-24UNF	3.8	0.8
20	20	27.5	36	80.2	13	59.7	14.5	10.6	113.5	5.7	36	F03	M5*0.8	3/8"-24UNF	5.1	0.9

unit:mm

NPS	d	D	E	L	L1	H	H1	H2	W	C	P	ISO 5211	M	S	Torque (in-lb)	Weight (lb)
1/4"	0.31	0.55	0.98	2.59	0.39	2.24	0.48	0.39	4.47	0.22	1.42	F03	M5*0.8	3/8"-24UNF	33.8	1.6
3/8"	0.39	0.71	0.98	2.59	0.39	2.24	0.48	0.39	4.47	0.22	1.42	F03	M5*0.8	3/8"-24UNF	33.8	1.6
1/2"	0.59	0.87	1.19	2.94	0.39	2.24	0.48	0.39	4.47	0.22	1.42	F03	M5*0.8	3/8"-24UNF	33.8	1.7
3/4"	0.79	1.08	1.42	3.16	0.51	2.35	0.57	0.42	4.47	0.22	1.42	F03	M5*0.8	3/8"-24UNF	45.1	1.9

unit:in



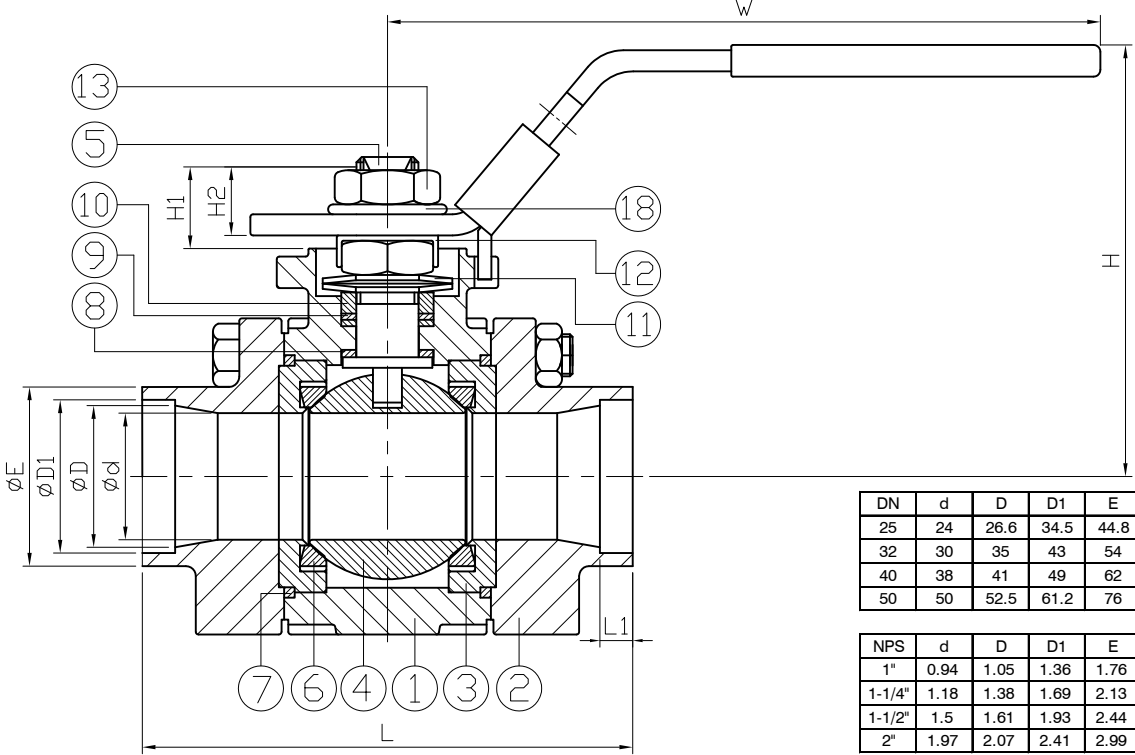
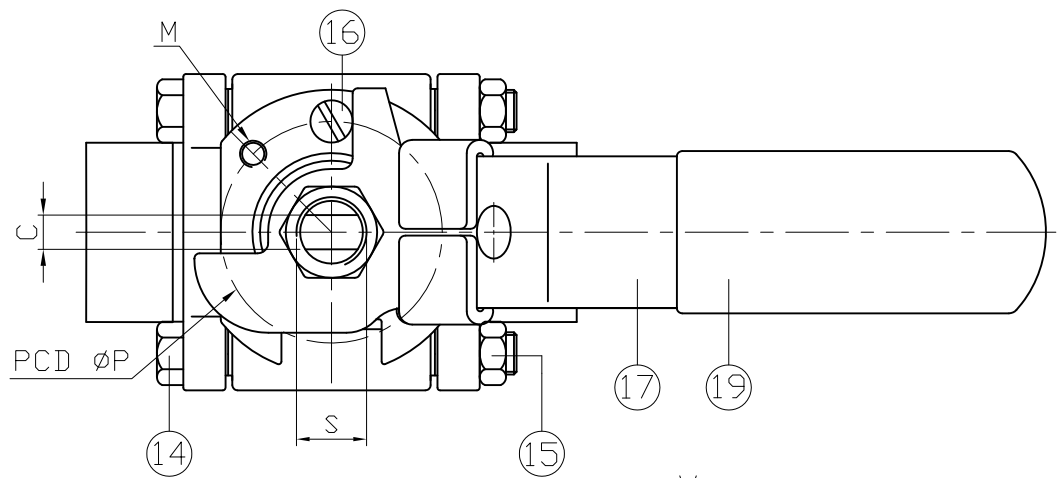
CHECK BY	DRAWING BY	DATE	SPECIFICATION	3-PC Socket Weld End Ball Valve 2000 WOG
	<i>Sammy</i>	Nov.26.2014	MATERIAL	WCB
			PROCESS/Nr.	
			UNIT / SCALE	mm

△			
△			
△			
Revise	Description	Date	Approve
DRAWING NO.		2356FW	

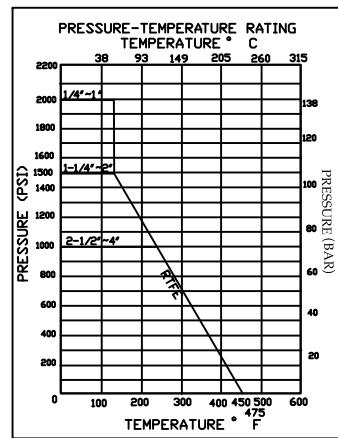
Ra
0.2
1.6
6.3
25
JIS

± 0.1
0.5~5
GENERAL TOLERANCE
6~30 ± 0.2
31~120 ± 0.3
121~320 ± 0.5
321~1000 ± 0.8

E-mail:sales@ohiovalve.com
www.ohiovalve.com
Ohio Valve Company
4061 Clough Woods
Drive Batavia,OH 45103
Tel:513-752-5600
Fax:513-752-8267



Fire Safe Certified to API 607



ITEM	PARTS	MATERIAL
1	BODY	ASTM A216-WCB
2	CAP	
3	RETAINER	ASTM A351-CF8M
4	BALL	
5	STEM	ASTM A276-316
6	SEAT	RTFE
7	GASKET	GRAPHITE
8	THRUST WASHER	CTFE
9	PACKING	GRAPHITE
10	GLAND RING	AISI 304
11	DISC SPRING	AISI 301
12	LOCK PAD	ASTM A167-304
13	STEM NUT	ASTM A194-8A
14	BOLT	ASTM A193-B8A
15	NUT	ASTM A194-8A
16	STOP PIN	AISI 304
17	HANDLE	STAINLESS STEEL
18	SPRING WASHER	AISI 304
19	HANDLE SLEEVE	PVC

DN	d	D	D1	E	L	L1	H	H1	H2	W	C	P	ISO 5211	M	S	Torque (N-M)	Weight (kg)
25	24	26.6	34.5	44.8	93	13	81.5	15.5	14	146	7.5	42	F04	M5*0.8	7/16"-20UNF	10.2	1.7
32	30	35	43	54	110.6	13	85.9	15.5	15	146	7.5	42	F04	M5*0.8	7/16"-20UNF	15.9	2.7
40	38	41	49	62	122.6	13	96.7	27.3	18.7	180	8.6	50	F05	M6*1.0	9/16"-18UNF	21	3.9
50	50	52.5	61.2	76	140	16	104.9	28.1	19	180	8.6	50	F05	M6*1.0	9/16"-18UNF	32.1	6.2

NPS	d	D	D1	E	L	L1	H	H1	H2	W	C	P	ISO 5211	M	S	Torque (in-lb)	Weight (lb)
1"	0.94	1.05	1.36	1.76	3.66	0.51	3.21	0.61	0.55	5.75	0.3	1.65	F04	M5*0.8	7/16"-20UNF	90.2	3.8
1-1/4"	1.18	1.38	1.69	2.13	4.35	0.51	3.38	0.61	0.59	5.75	0.3	1.65	F04	M5*0.8	7/16"-20UNF	141	6
1-1/2"	1.5	1.61	1.93	2.44	4.83	0.51	3.81	1.07	0.74	7.09	0.34	1.97	F05	M6*1.0	9/16"-18UNF	186	8.5
2"	1.97	2.07	2.41	2.99	5.51	0.63	4.13	1.11	0.75	7.09	0.34	1.97	F05	M6*1.0	9/16"-18UNF	284.1	13.6

1" : 2000 WOG
1-1/4"~2" : 1500 WOG



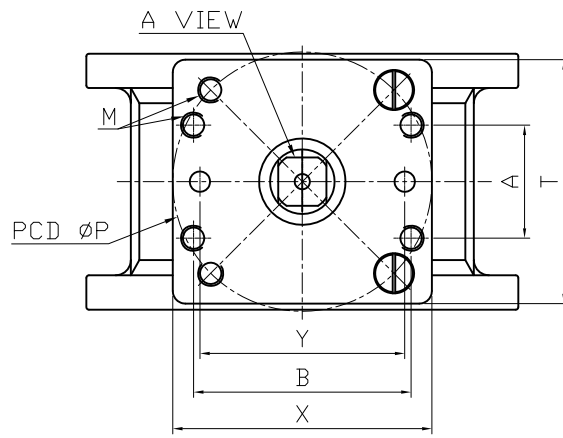
CHECK BY	DRAWING BY	DATE	SPECIFICATION	3-PC Socket Weld End Ball Valve
	<i>Sammy</i>	Nov.26.2014	MATERIAL	WCB
			PROCESS/Nr.	
			UNIT / SCALE	mm

Revise	Description	Date	Approve
DRAWING NO. 2356FW			

Ra
0.2
1.6
6.3
25
JIS

±0.1
±0.2
±0.3
±0.5
±0.8
GENERAL TOLERANCE
0.5~5
6~30
31~120
121~320
321~1000

Ohio Valve Company
4061 Clough Woods
Tel:513-752-5600
E-mail:sales@ohiovalve.com
Drive Batavia,OH 45103
www.ohiovalve.com
Fax:513-752-8267

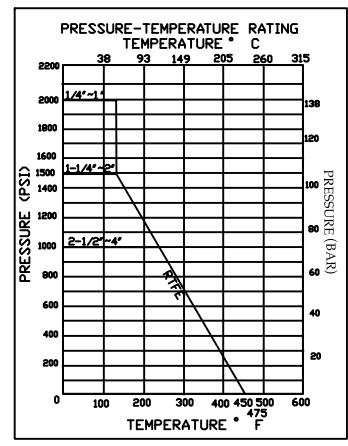
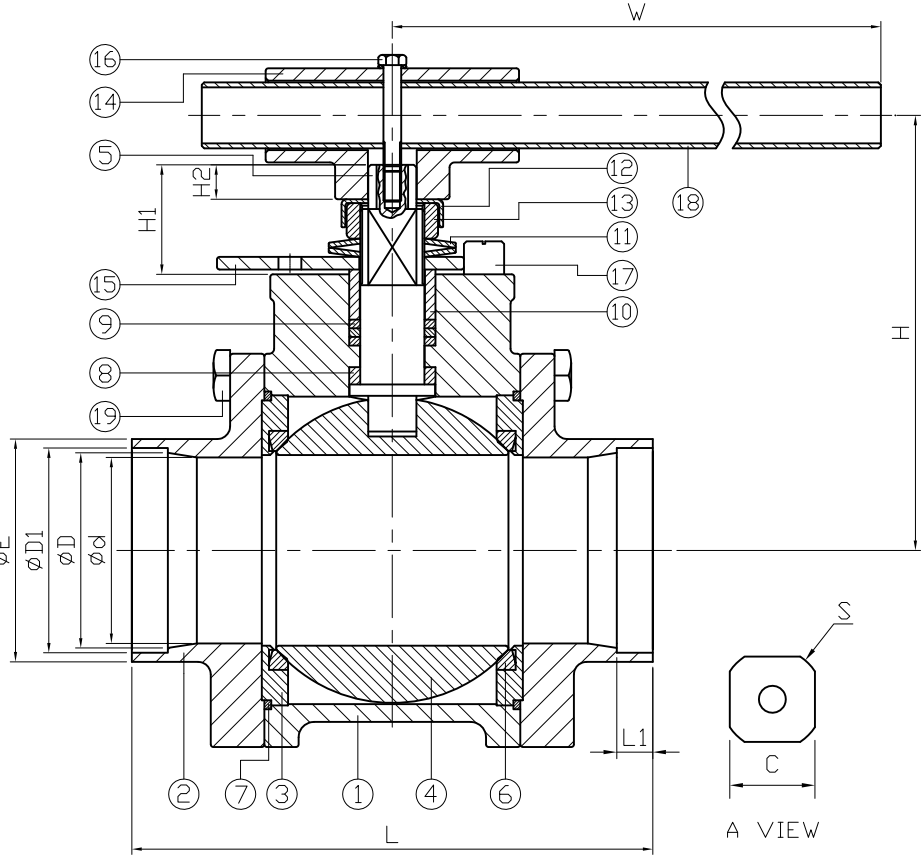


DN	d	D	D1	E	L	L1	H	H1	H2	W	C	P	A	B	Y	T	X	M	S	ISO 5211	Torque (N-M)	Weight (kg)
65	64	65	74	92	184.6	16	133.9	42.5	15	222.5	14	70	32	70	64	70	85	M8*1.25	M20*2.5	F07	53.5	10.5
80	75	78	90	104	204	16	172.1	46.4	17.5	344	19	102	44.5	85.6	80.6	96	102	M10*1.5	1"-14UNF	F10	111.5	16.7
100	96	-	115.5	136	240	20	185.5	47	17.5	344	19	102	44.5	85.6	80.6	96	102	M10*1.5	1"-14UNF	F10	114	26.6

NPS	d	D	D1	E	L	L1	H	H1	H2	W	C	P	A	B	Y	T	X	M	S	ISO 5211	Torque (in-lb)	Weight (lb)
2-1/2"	2.52	2.56	2.91	3.62	7.27	0.63	5.27	1.67	0.59	8.76	0.55	2.76	1.26	2.76	2.52	2.76	3.35	M8*1.25	M20*2.5	F07	473.6	23.1
3"	2.95	3.07	3.54	4.09	8.03	0.63	6.78	1.83	0.69	13.54	0.75	4.02	1.75	3.37	3.17	3.78	4.02	M10*1.5	1"-14UNF	F10	986.9	36.8
4"	3.78	-	4.55	5.35	9.45	0.79	7.3	1.85	0.69	13.54	0.75	4.02	1.75	3.37	3.17	3.78	4.02	M10*1.5	1"-14UNF	F10	1009	58.6

unit:mm
unit:in

Fire Safe Certified to API 607



ITEM	PARTS	MATERIAL
1	BODY	ASTM A216-WCB
2	CAP	
3	RETAINER	ASTM A351-CF8M
4	BALL	
5	STEM	ASTM A276-316
6	SEAT	RTFE
7	GASKET	GRAPHITE
8	THRUST WASHER	CTFE
9	PACKING	GRAPHITE
10	GLAND RING	AISI 304
11	DISC SPRING	AISI 301
12	LOCK PAD	ASTM A167-304
13	STEM NUT	ASTM A194-8A
14	WRENCH BLOCK	AISI 304
15	STOPPER	
16	HEX HESD BOLT	
17	STOP PIN	
18	HANDLE	ASTM A193-B8A
19	BOLT	



CHECK BY	DRAWING BY	DATE	SPECIFICATION	3-PC Socket Weld End Ball Valve 1000 WOG
	<i>Sammy</i>	Nov.26.2014	MATERIAL	WCB
			PROCESS/Nr.	
			UNIT / SCALE	mm

△			
△			
△			
Revise	Description	Date	Approve
DRAWING NO. 2356FW			