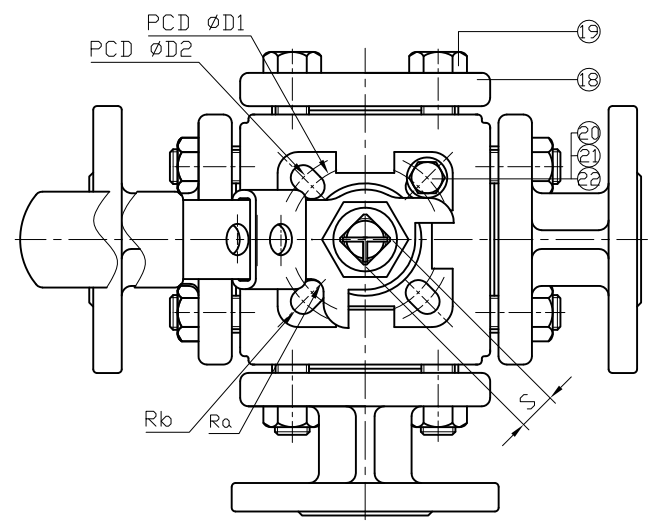
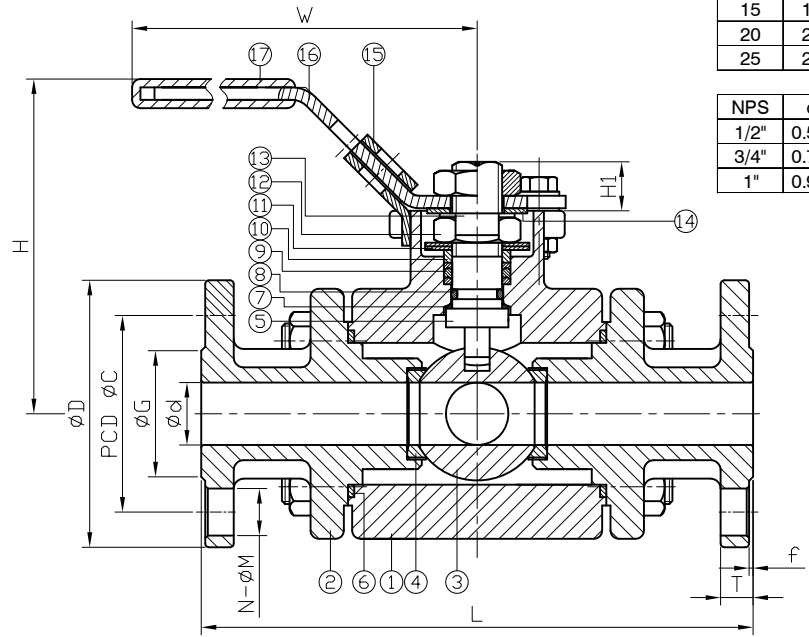


Ra	JIS
0.2	▽▽▽
1.6	▽▽
6.3	▽
25	▽
±0.1	
±0.2	
±0.3	
31~120	
121~320	
±0.5	
321~1000	
±0.8	
GENERAL TOLERANCE	

Ohio Valve Company
 4061 Clough Woods
 Drive Batavia, OH 45103
 Tel: 513-752-5600
 Fax: 513-752-8267
 E-mail: sales@ohiovalve.com
 www.ohiovalve.com



DN	d	G	C	D	L	H	H1	W	T	f	S	D1	D2	Ra	Rb	N	M	Torque (N-M)	Weight (kg)
15	15	35	60.5	89	148	80	9	123	11.1	1.6	9	36	42	3	3	4	16	13	3.7
20	20	43	70	98	153	84	9	123	11.1	1.6	9	36	42	3	3	4	16	13	5.3
25	25	51	79.5	108	168	96	11	153	11.1	1.6	11	42	50	3	3.5	4	16	32.5	7.8

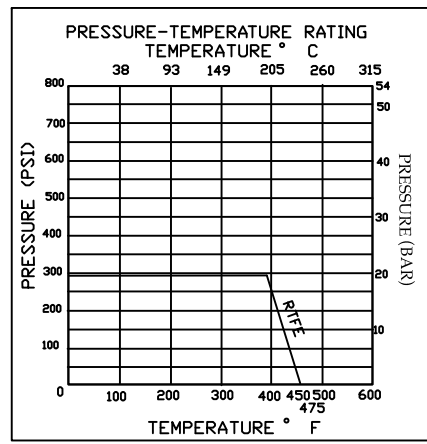
NPS	d	G	C	D	L	H	H1	W	T	f	S	D1	D2	Ra	Rb	N	M	Torque (in-lb)	Weight (lb)
1/2"	0.59	1.38	2.38	3.5	5.83	3.15	0.35	4.84	0.44	0.06	0.35	1.42	1.65	0.12	0.12	4	0.63	115.1	8.2
3/4"	0.79	1.69	2.76	3.86	6.02	3.31	0.35	4.84	0.44	0.06	0.35	1.42	1.65	0.12	0.12	4	0.63	115.1	11.7
1"	0.98	2.01	3.13	4.25	6.61	3.78	0.43	6.02	0.44	0.06	0.43	1.65	1.97	0.12	0.14	4	0.63	287.6	17.2

unit:mm

unit:in

- FEATURES:**
- END FLANGE DIMENSION : ASME B16.5
 - TEST : ASME B16.34
 - INVESTMENT CASTING BODY
 - WITH ISO 5211 DIRECT MOUNTING PAD
 - LOCKING DEVICE
 - THERE ARE FOUR SEATS
 - L-PORT AVAILABE / 360°PAD

PORT TYPE	1	2	3	4
L	1 ⊕ 2 3	1 ⊕ 2 3	1 ⊕ 2 3	1 ⊕ 2 3



ITEM	PARTS	MATERIAL
1	BODY	ASTM A351-CF8M
2	CAP	
3	BALL	
4	SEAT	RTFE
5	STEM	SUS 316
6	GASKET	RTFE
7	THRUST WASHER	PEEK+PTFE
8	O-RING	VITON
9	PACKING	RTFE
10	GLAND RING	SUS 304
11	SPRING WASHER	SUS 301
12	STEM NUT	SUS 304
13	STOP WASHER	
14	HANDLE WASHER	
15	LOCKING DEVICE	
16	HANDLE	PLASTIC
17	HANDLE SLEEVE	
18	CAP-A	ASTM A351-CF8M
19	CAP-A BOLT	SUS 304
20	STOP PIN	
21	BOLT	
22	NUT	

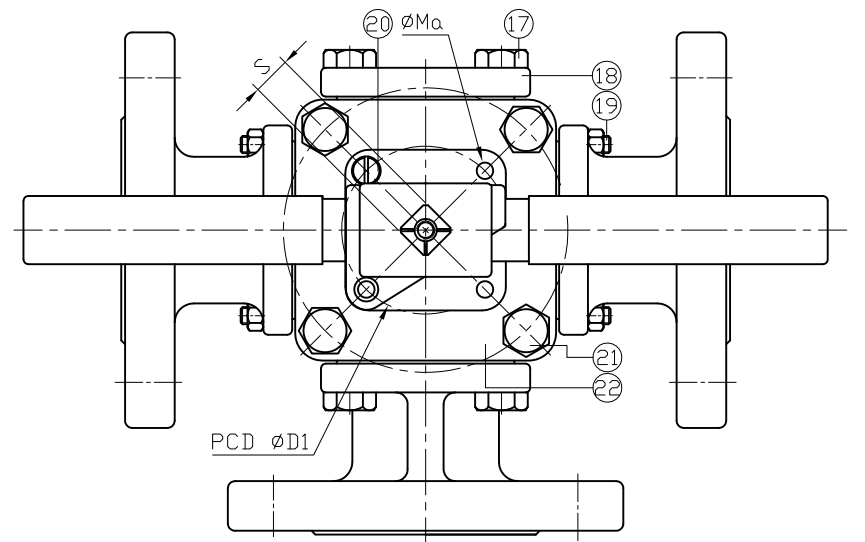
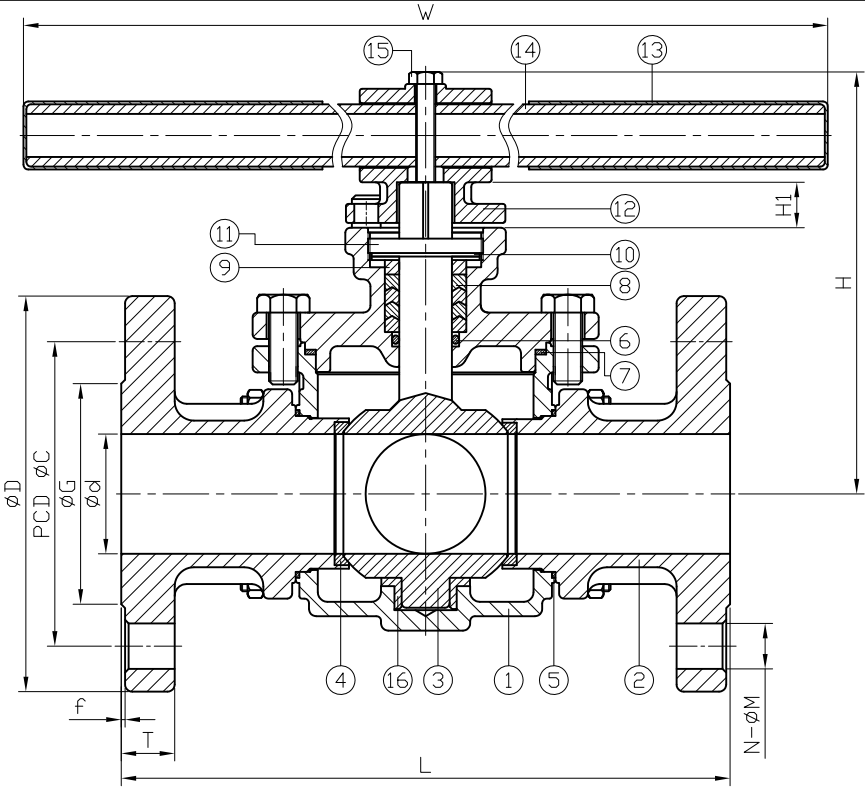


CHECK BY	DRAWING BY	DATE	SPECIFICATION	3-Way L Port Ball Valve Class 150
	<i>Pammy</i>	Nov.26.2014	MATERIAL	CF8M
			PROCESS/Nr.	
			UNIT / SCALE	mm

△			
△			
△			
Revise	Description	Date	Approve
DRAWING NO.		3L66F-150DM	

Ra
0.2
1.6
6.3
25
± 0.1
± 0.2
± 0.3
± 0.5
± 0.8
0.5~5
6~30
31~120
121~320
321~1000
GENERAL TOLERANCE

Ohio Valve Company
4061 Clough Woods
Tel:513-752-5600
E-mail:sales@ohiovalve.com
Drive Batavia,OH 45103
www.ohiovalve.com
Fax:513-752-8267



DN	d	G	C	D	L	H	H1	W	T	f	S	D1	N	M	Ma	Torque (N-M)	Weight (kg)
32	32	64	89	117	221	171	19	403	12.7	1.6	17	70	4	16	10	71.5	-
40	40	73	98.5	127	221	171	19	403	14.3	1.6	17	70	4	16	10	71.5	12.8
50	50	92	120.5	152	254	176	19	403	15.9	1.6	17	70	4	19	10	104	16.3
65	65	105	139.5	178	300	208	24	504	17.5	1.6	22	102	4	19	12	156	27.6
80	76	127	152.5	190	305	216	24	504	19.1	1.6	22	102	4	19	12	234	34
100	96	157	190.5	229	369	236	24	504	23.9	1.6	22	102	8	19	12	286	63.4
150	148	216	241.5	279	480	329	38	800	25.4	1.6	36	140	8	22	18	494	151
200	200	270	298.5	343	630	354	40	1000	28.6	1.6	36	140	8	22	18	650	274.4

unit:mm

NPS	d	G	C	D	L	H	H1	W	T	f	S	D1	N	M	Ma	Torque (in-lb)	Weight (lb)
1-1/4"	1.26	2.52	3.5	4.61	8.7	6.73	0.75	15.87	0.5	0.06	0.67	2.76	4	0.63	0.39	632.8	-
1-1/2"	1.57	2.87	3.88	5	8.7	6.73	0.75	15.87	0.56	0.06	0.67	2.76	4	0.63	0.39	632.8	28.2
2"	1.97	3.62	4.74	5.98	10	6.93	0.75	15.87	0.63	0.06	0.67	2.76	4	0.75	0.39	920.5	35.9
2-1/2"	2.56	4.13	5.49	7.01	11.81	8.19	0.94	19.84	0.69	0.06	0.87	4.02	4	0.75	0.47	1380.7	60.8
3"	2.99	5	6	7.48	12.01	8.5	0.94	19.84	0.75	0.06	0.87	4.02	4	0.75	0.47	2071.1	75
4"	3.78	6.18	7.5	9.02	14.53	9.29	0.94	19.84	0.94	0.06	0.87	4.02	8	0.75	0.47	2531.3	139.8
6"	5.83	8.5	9.51	10.98	18.9	12.95	1.5	31.5	1	0.06	1.42	5.51	8	0.87	0.71	4372.2	332.9
8"	7.87	10.63	11.75	13.5	24.8	13.94	1.57	39.37	1.13	0.06	1.42	5.51	8	0.87	0.71	5753	604.8

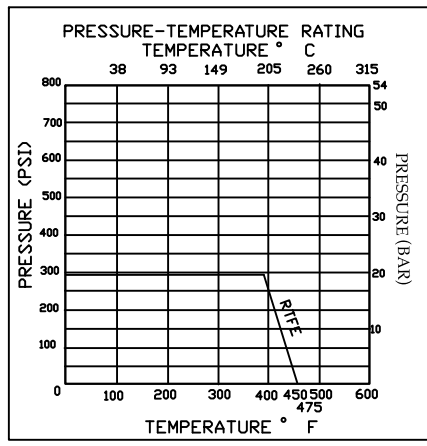
unit:in

FEATURES :

- END FLANGE DIMENSION : ASME B16.5
- TEST : ASME B16.34
- INVESTMENT CASTING BODY
- WITH ISO 5211 DIRECT MOUNTING PAD
- FIXED BALL / FULL PORT
- THERE ARE FOUR SEATS
- L-PORT AVAILABE / 360°PAD

PORT TYPE	1	2	3	4
L	1 ⊕ 2 3	1 ⊕ 2 3	1 ⊕ 2 3	1 ⊕ 2 3

ITEM	PARTS	MATERIAL
1	BODY	ASTM A351-CF8M
2	CAP	
3	BALL & STEM	RTFE
4	SEAT	
5	GASKET	VITON
6	O-RING	RTFE
7	GASKET	
8	PACKING	SUS 304
9	GLAND RING	SUS 301
10	SPRING WASHER	ASTM A351-CF8M
11	CAP-C	ASTM A351-CF8
12	HANDLE HEAD	PLASTIC
13	HANDLE SLEEVE	GALVANIZED PIPE
14	HANDLE POLE	SUS 304
15	HANDLE BOLT	RTFE
16	SLEEVE	SUS 304
17	CAP-B BOLT	ASTM A351-CF8M
18	CAP-B	SUS 304
19	BOLT	
20	STOP PIN	ASTM A351-CF8M
21	CAP-A BOLT	
22	CAP-A	



CHECK BY	DRAWING BY	DATE	SPECIFICATION	3-Way L Port Ball Valve Class 150
	<i>Pammy</i>	Nov.26.2014	MATERIAL	CF8M
			PROCESS/Nr.	
			UNIT / SCALE	mm

△		
△		
△	Revise	Description
	DRAWING NO.	3L66F-150DM