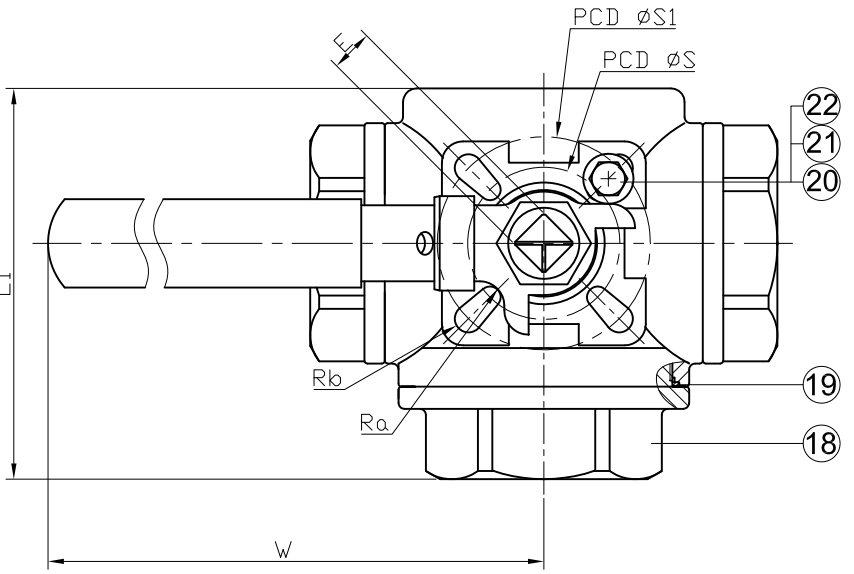
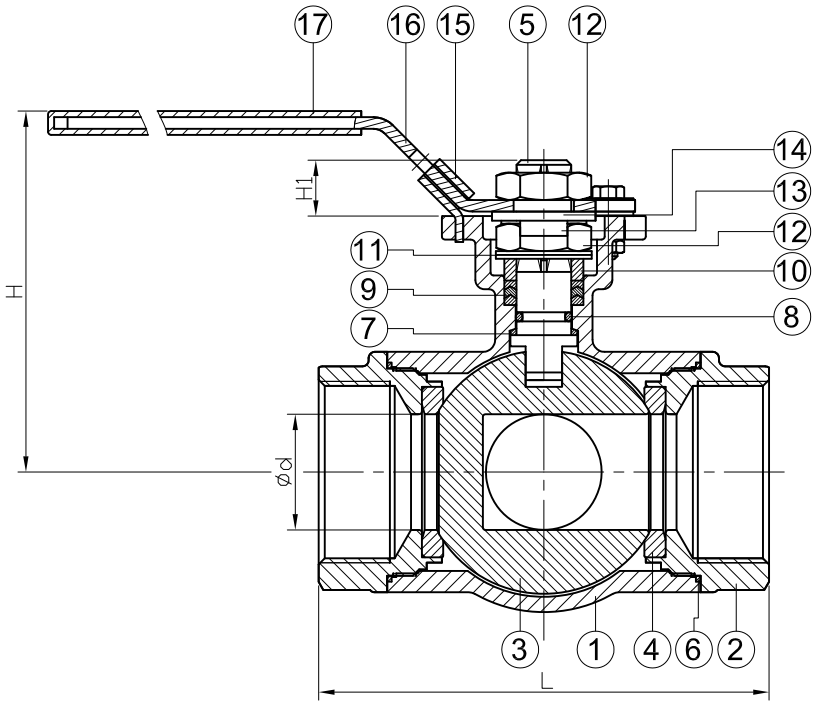


Ra	JIS
0.2	▽▽▽
1.6	▽▽
6.3	▽
25	▽
±0.1	±0.2
±0.2	±0.3
±0.3	±0.5
±0.5	±0.8
0.5~5	
6~30	
31~120	
121~320	
321~1000	
GENERAL TOLERANCE	

Ohio Valve Company
 Drive Batavia, OH 45103
 Tel: 513-752-5600
 E-mail: sales@ohiovalve.com
 www.ohiovalve.com
 Fax: 513-752-8267



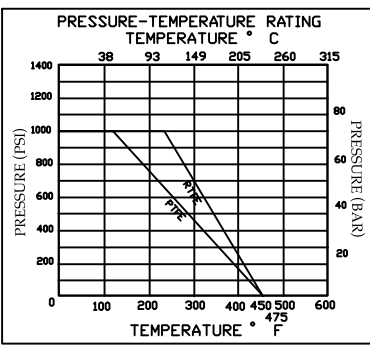
DN	d	L	L1	H	H1	W	S	S1	E	Ra	Rb	Torque (N-M)	Weight (kg)
8	11.6	76	60	73	9	123	36	42	9	3	3	14.3	0.7
10	12.5	76	60	73	9	123	36	42	9	3	3	14.3	0.7
15	12.5	76	60	73	9	123	36	42	9	3	3	14.3	0.7
20	16	86	72	76	9	123	36	42	9	3	3	19.5	1.1
25	20	99	80.2	87	11	153	42	50	11	3	3.5	27.3	1.6
32	25	117	94.5	93	11	153	42	50	11	3	3.5	36.4	2.2
40	32	124	104	110	14	183	50	70	14	3.5	4.5	45.5	3.5
50	38	148	125	119	14	183	50	70	14	3.5	4.5	65	5.4

unit:mm

NPS	d	L	L1	H	H1	W	S	S1	E	Ra	Rb	Torque (in-lb)	Weight (lb)
1/4"	0.46	2.99	2.36	2.87	0.35	4.84	1.42	1.65	0.35	0.12	0.12	126.6	1.5
3/8"	0.49	2.99	2.36	2.87	0.35	4.84	1.42	1.65	0.35	0.12	0.12	126.6	1.5
1/2"	0.49	2.99	2.36	2.87	0.35	4.84	1.42	1.65	0.35	0.12	0.12	126.6	1.5
3/4"	0.63	3.39	2.83	2.99	0.35	4.84	1.42	1.65	0.35	0.12	0.12	172.6	2.4
1"	0.79	3.9	3.16	3.43	0.43	6.02	1.65	1.97	0.43	0.12	0.14	241.6	3.5
1-1/4"	0.98	4.61	3.72	3.66	0.43	6.02	1.65	1.97	0.43	0.12	0.14	322.2	4.9
1-1/2"	1.26	4.88	4.09	4.33	0.55	7.2	1.97	2.76	0.55	0.14	0.18	402.7	7.7
2"	1.5	5.83	4.92	4.69	0.55	7.2	1.97	2.76	0.55	0.14	0.18	575.3	11.9

unit:in

- FEATURES:
- PIPE THREAD IN ACCORDANCE: NPT, BSPT, DIN259, DIN2999, ISO 228 CLASS A
 - BLOW-OUT PROOF STEM
 - INVESTMENT CASTING BODY
 - WITH ISO 5211 DIRECT MOUNTING PAD
 - LOCKING DEVICE
 - THERE ARE FOUR SEATS
 - T-PORT AVAILABLE
 - 1/4"~3/8" : FULL PORT
 - 1/2"~2" : REDUCE PORT



ITEM	PARTS	MATERIAL
1	BODY	ASTM A351-CF8M
2	CAP-A	
3	BALL	
4	SEAT	PTFE / RTFE
5	STEM	SUS 316
6	GASKET	PTFE / RTFE
7	THRUST WASHER	PEEK+PTFE
8	O-RING	VITON
9	PACKING	PTFE / RTFE
10	GLAND	SUS 304
11	SPRING WASHER	SUS 301
12	STEM NUT	SUS 304
13	STOP WASHER	
14	HANDLE WASHER	
15	LOCKING DEVICE	
16	HANDLE	PLASTIC
17	PLASTIC COVER	
18	CAP-B	ASTM A351-CF8M
19	GASKET	PTFE / RTFE
20	STOP PIN	SUS 304
21	BOLT	
22	NUT	

PORT TYPE	1	2	3	4
T	1 ⊕ 2 3	1 ⊕ 2 3	1 ⊕ 2 3	1 ⊕ 2 3

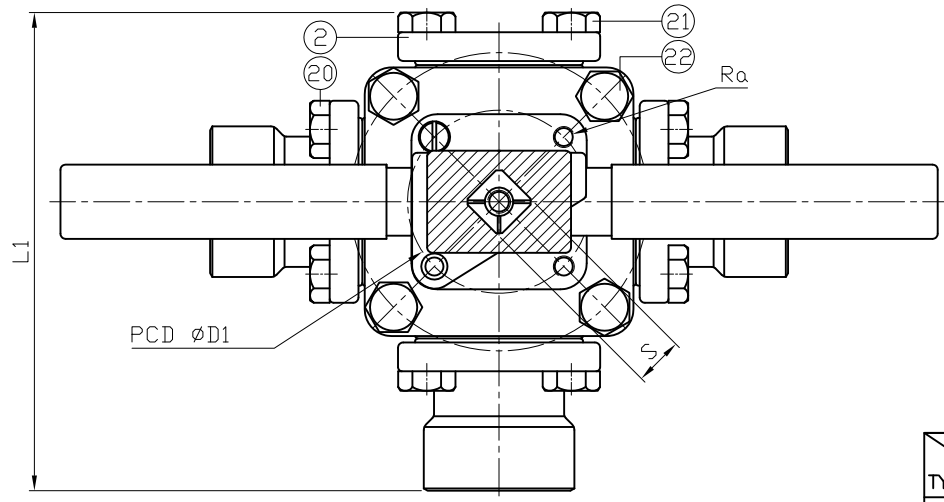
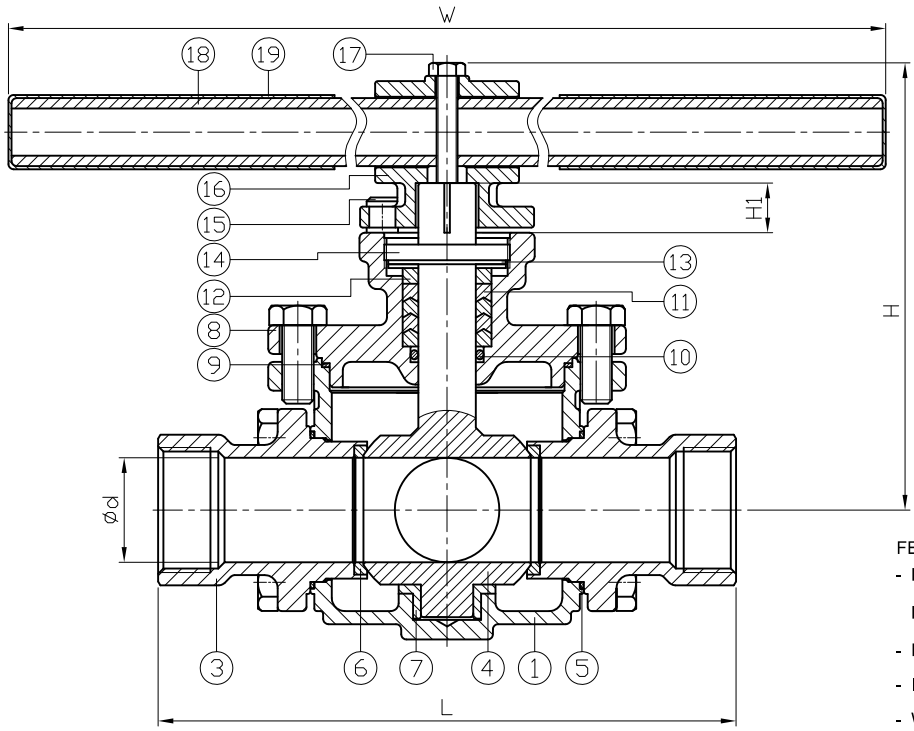


CHECK BY	DRAWING BY	DATE	SPECIFICATION	3 Way Screwed End Ball Valve 1000 WOG
	<i>Jammy</i>	Nov.25.2014	MATERIAL	CF8M
			PROCESS/Nr.	
			UNIT / SCALE	mm

△			
△			
△			
Revise	Description	Date	Approve
DRAWING NO. 3T66RT-DM			

Ra	0.2	JIS
	1.6	
	6.3	
	25	
GENERAL TOLERANCE	± 0.1 ± 0.2 ± 0.3 ± 0.5 ± 0.8	0.5~5 6~30 31~120 121~320 321~1000

Ohio Valve Company
 4061 Clough Woods
 Drive Batavia, OH 45103
 Tel: 513-752-5600
 Fax: 513-752-8267
 E-mail: sales@ohiovalve.com
 www.ohiovalve.com



DN	d	L	L1	H	H1	W	S	D1	Ra	Torque (N-M)		Weight (kg)
										Breakaway	Action	
65	65	300	242	208	24	504	22	102	12	221	130	19.1
80	80	315	258	216	24	504	22	102	12	273	192.4	21.7
100	100	369	314	236	24	504	22	102	12	351	234	26.8

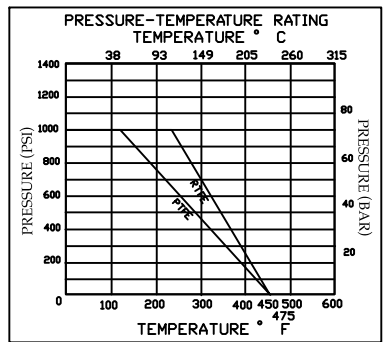
unit:mm

NPS	d	L	L1	H	H1	W	S	D1	Ra	Torque (in-lb)		Weight (lb)
										Breakaway	Action	
2-1/2"	2.56	11.81	9.53	8.19	0.94	19.84	0.87	4.02	0.47	1956	1150.6	42.1
3"	3.15	12.4	10.16	8.5	0.94	19.84	0.87	4.02	0.47	2416.2	1702.9	47.8
4"	3.94	14.53	12.36	9.29	0.94	19.84	0.87	4.02	0.47	3106.6	2071.1	59.1

unit:in

- FEATURES :
- PIPE THREAD IN ACCORDANCE : NPT, BSPT, DIN259, DIN2999, ISO 228 CLASS A
 - FIXED BALL / FULL PORT
 - INVESTMENT CASTING BODY
 - WITH ISO 5211 DIRECT MOUNTING PAD
 - THERE ARE FOUR SEATS
 - T-PORT AVAILABLE / 360° PAD

ITEM	PARTS	MATERIAL
1	BODY	ASTM A351-CF8M
2	CAP - A	
3	CAP - B	
4	BALL	
5	GASKET - A	RTFE / PTFE
6	SEAT	
7	SLEEVE	RTFE
8	CAP - C	ASTM A351-CF8M
9	GASKET - B	RTFE / PTFE
10	O-RING	VITON
11	STEM PACKING	RTFE / PTFE
12	GLAND RING	SUS 304
13	SPRING WASHER	
14	CAP	ASTM A351-CF8M
15	STOP PIN	SUS 304
16	HANDLE HEAD	ASTM A351-CF8
17	STEM BOLT	SUS 304
18	HANDLE	SUS 304 / GALVANIZED PIPE
19	PLASTIC COVER	PLASTIC
20	CAP - A BOLT	SUS 304
21	CAP - B BOLT	
22	CAP - C BOLT	



PORT TYPE	1	2	3	4
T	1 ⊕ 2 3	1 ⊕ 2 3	1 ⊕ 2 3	1 ⊕ 2 3



CHECK BY	DRAWING BY	DATE	SPECIFICATION	3 Way Screwed End Ball Valve 1000 WOG
	<i>Sammy</i>	Nov.25.2014	MATERIAL	CF8M
			PROCESS/Nr.	
			UNIT / SCALE	mm

△			
△			
△			
Revise	Description	Date	Approve
DRAWING NO.		3T66RT-DM	