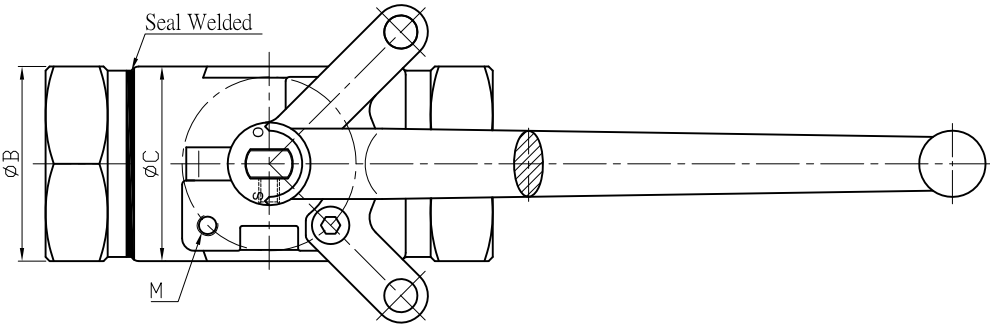


Ra	0.2	▽▽▽
1.6	▽▽	▽▽
6.3	▽	▽
25	▽	▽
± 0.1	± 0.2	± 0.3
± 0.2	± 0.3	± 0.5
± 0.3	± 0.5	± 0.8
0.5~5	6~30	31~120
6~30	31~120	121~320
31~120	121~320	321~1000
321~1000		

Ohio Valve Company
 4061 Clough Woods
 Drive Batavia, OH 45103
 Tel: 513-752-5600
 Fax: 513-752-8267
 E-mail: sales@ohiovalve.com
 www.ohiovalve.com

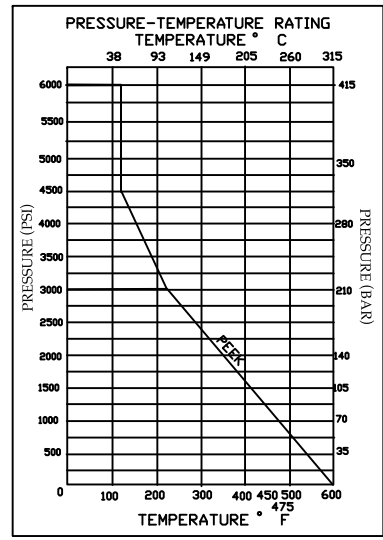
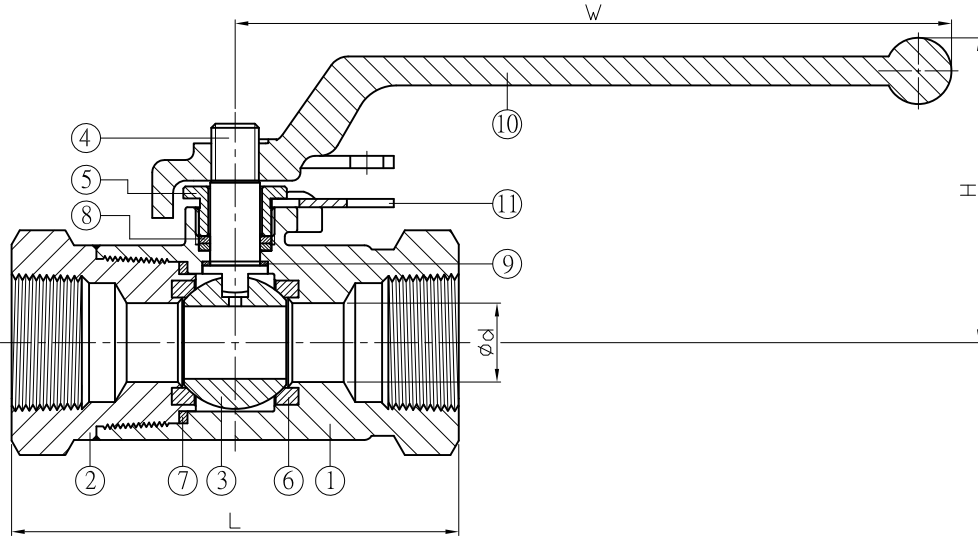


DN	L	H	W	d	B	C	ISO 5211	M	Torque (N-M)	Weight (kg)
8 F	76.2	56.6	142	6.35	32	39	F03	M5*P0.8	9	0.7
10 S	76.2	56.6	142	6.35	32	39	F03	M5*P0.8	9	0.7
15 F	101.6	56.6	142	12.7	38	39	F03	M5*P0.8	9	0.9
20 F	108	76.1	173	19	47	52	F04	M5*P0.8	27.1	1.6
25 S	108	76.1	173	19	55	55	F04	M5*P0.8	27.1	2.7
25 F	122	83.1	173	25.4	55	68	F05	M6*P1	33.3	1.8
40 F	134	117	247.5	38.1	77	97	F07	M8*P1.25	51.4	6.1
50 S	158.1	117	247.5	38.1	92	97	F07	M8*P1.25	51.4	7.4

F: Full Port S: Standard Port unit: mm

NPS	L	H	W	d	B	C	ISO 5211	M	Torque (in-lb)	Weight (lb)
1/4" F	3	2.23	5.59	0.25	1.26	1.54	F03	M5*P0.8	80	1.5
3/8" S	3	2.23	5.59	0.25	1.26	1.54	F03	M5*P0.8	80	1.5
1/2" F	4	2.23	5.59	0.5	1.5	1.54	F03	M5*P0.8	80	2
3/4" F	4.25	3	6.81	0.75	1.85	2.05	F04	M5*P0.8	240	3.4
1" S	4.25	3	6.81	0.75	2.17	2.17	F04	M5*P0.8	240	5.9
1" F	4.8	3.27	6.81	1	2.17	2.68	F05	M6*P1	295	4
1-1/2" F	5.28	4.61	9.74	1.5	3.03	3.82	F07	M8*P1.25	455	13.4
2" S	6.22	4.61	9.74	1.5	3.62	3.82	F07	M8*P1.25	455	16.3

F: Full Port S: Standard Port unit: in



Fire Safe Certified to API 607

ITEM	PARTS	MATERIAL
1	BODY	ASTM A351-CF8M
2	CAP	
3	BALL	17-4PH
4	STEM	ASTM A564-630 H900
5	GLAND NUT	AISI 304
6	SEAT	PEEK
7	SEAL	GRAPHITE
8	PACKING	
9	THRUST WASHER	CTFE
10	HANDLE	AISI 304
11	LOCK PAD	



CHECK BY	DRAWING BY	DATE	SPECIFICATION	2-PC Screwed End Ball Valve 6000 WOG
	<i>Sammy</i>	Nov.26.2014	MATERIAL	CF8M
			PROCESS/Nr.	
			UNIT / SCALE	mm

△			
△			
△			
Revise	Description	Date	Approve
DRAWING NO. 6266HP			