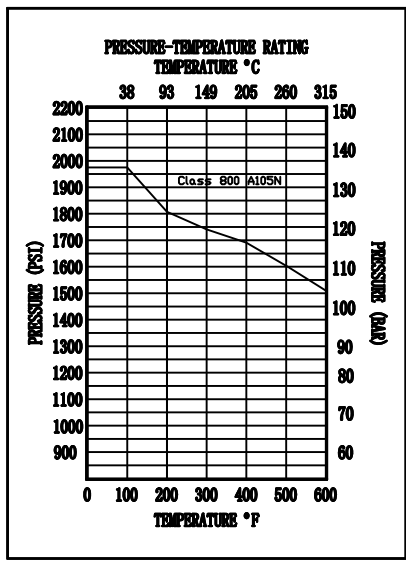
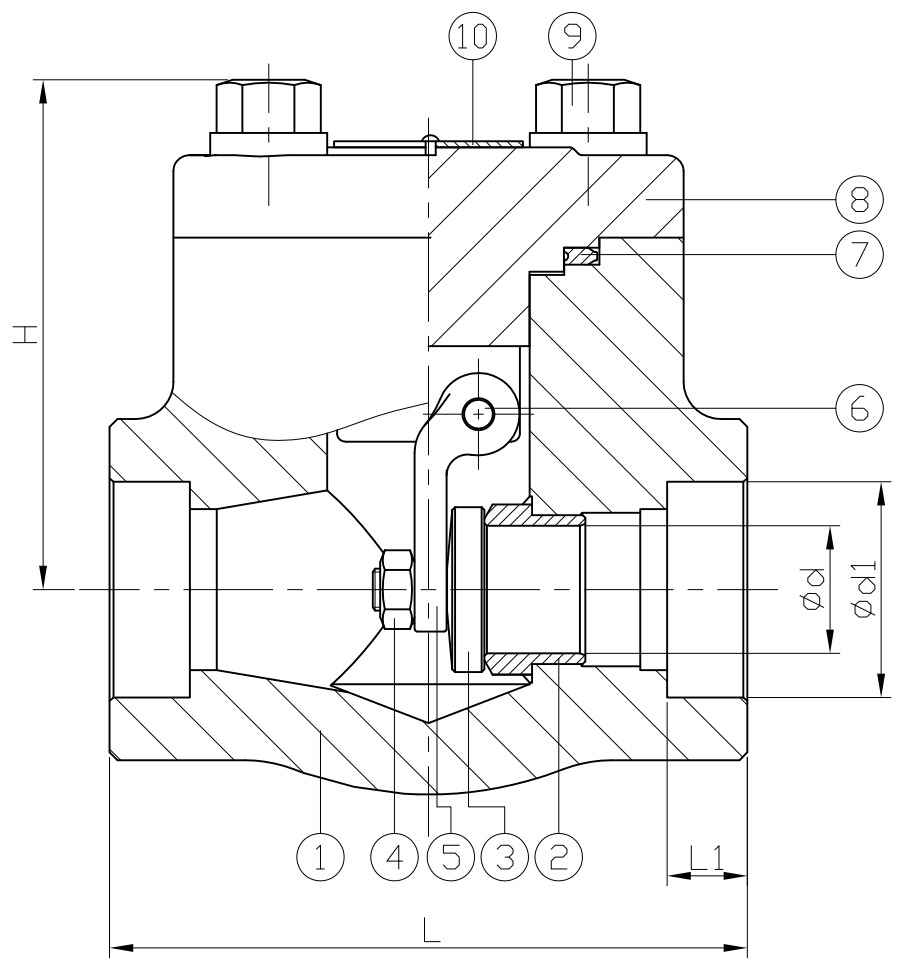


Ra	0.2	JIS
▽	1.6	▽
▽	6.3	▽
▽	25	▽
▽	0.1	
▽	0.2	
▽	0.3	
▽	0.5	
▽	0.8	

Ohio Valve Company
 4061 Clough Woods
 Drive Batavia, OH 45103
 Tel: 513-752-5600
 E-mail: sales@ohiovalve.com
 www.ohiovalve.com



DN	d	d1	L	L1	H
8	7.5	14.2	79	10	58
10	10	17.6	79	10	58
15	13	21.8	79	10	58
20	13	27.2	92	13	58
25	18	33.9	111	13	75
32	24	42.7	120	13	83
40	29	48.8	120	13	94
50	36.5	61.2	140	16.5	107

NPS	d	d1	L	L1	H
1/4"	0.3	0.56	3.11	0.39	2.28
3/8"	0.39	0.69	3.11	0.39	2.28
1/2"	0.51	0.86	3.11	0.39	2.28
3/4"	0.51	1.07	3.62	0.51	2.28
1"	0.71	1.33	4.37	0.51	2.95
1-1/4"	0.94	1.68	4.72	0.51	3.27
1-1/2"	1.14	1.92	4.72	0.51	3.7
2"	1.44	2.41	5.51	0.65	4.21

unit:mm
unit:in

ITEM	PARTS	MATERIAL
1	BODY	ASTM A105N
2	SEAT	ASTM A276-410+ STELLITE
3	DISC	ASTM A276-420
4	NUT	ASTM A194-8
5	HINGE	ASTM A351-CF8
6	PIN	ASTM A276-316
7	GASKET	304+ GRAPHITE
8	BONNET	ASTM A105N
9	BOLT	ASTM A193-B7
10	NAMEPLATE	ALUMINUM

FEATURES :
 - Design : API 602 & ASME B16.34
 - Test : API 598
 - Socket Welding Dimension : ASME B16.11



CHECK BY	DRAWING BY	DATE	SPECIFICATION	Forged Type Socket Weld End Swng Check Valve Class 800
	<i>Sammy</i>	Feb.25.2016	MATERIAL	A105N
			PROCESS/Nr.	
			UNIT / SCALE	mm

△			
△			
△			
Revise	Description	Date	Approve
DRAWING NO.		SC800SW	