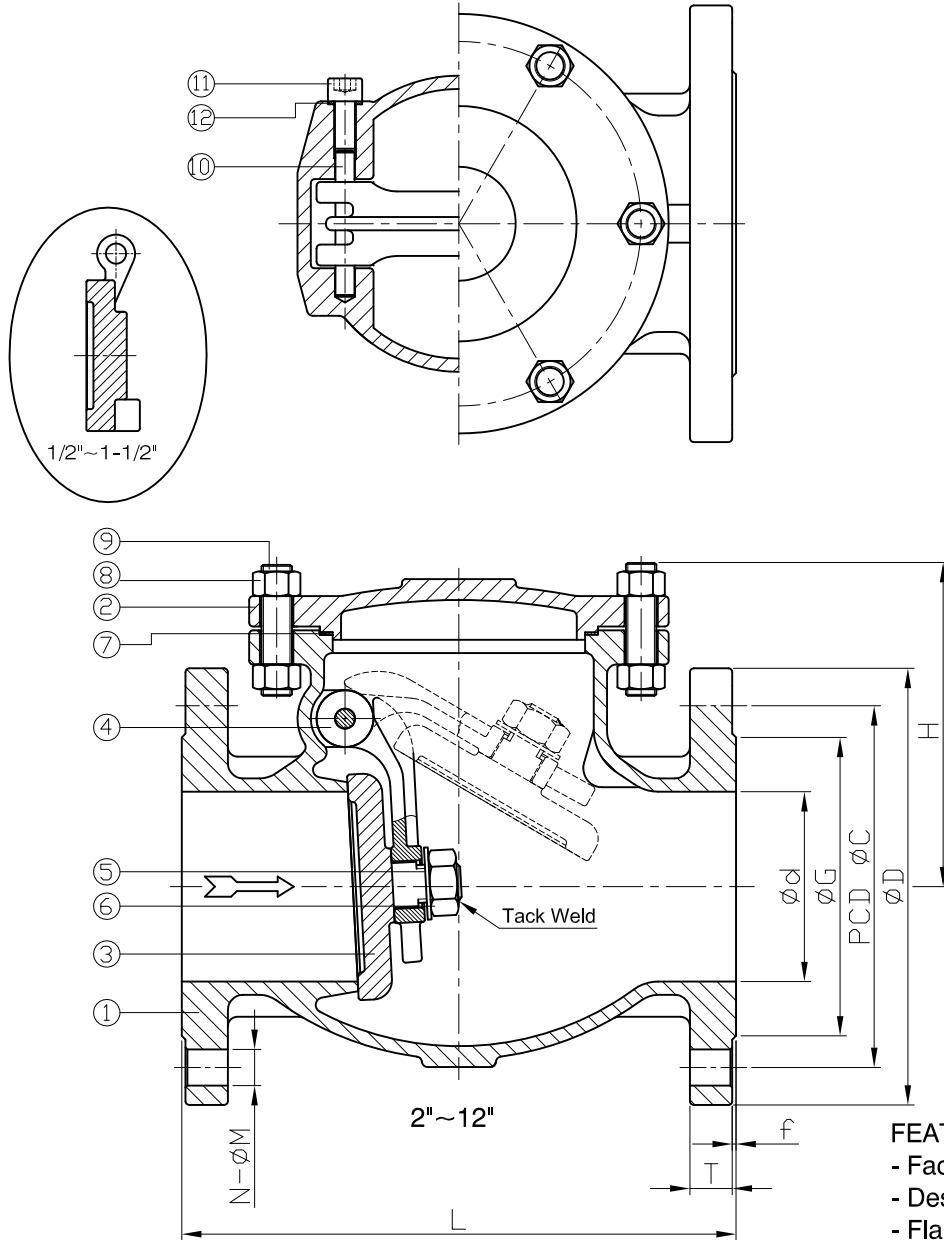


± 0.1	0.5~5	GENERAL TOLERANCE
± 0.2	6~30	
± 0.3	31~120	
± 0.5	121~320	
± 0.8	321~1000	

Ohio Valve Company
 4061 Clough Woods
 Drive Batavia, OH 45103
 Tel: 513-752-5600 Fax: 513-752-8267
 E-mail: sales@ohiovalve.com
 www.ohiovalve.com

0.2	▽	JIS
1.6	▽	
6.3	▽	
25	▽	
0.1	▽	



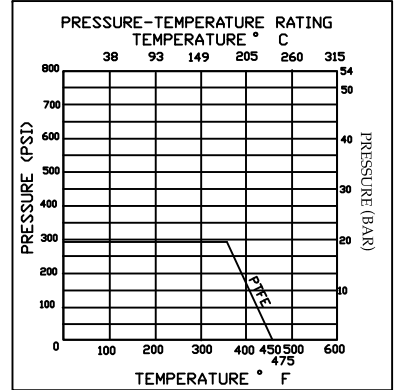
DN	d	G	C	D	H	T	f	N	M	L	Weight (kg)
15	15	34.9	60.3	90	58	9.6	2	4	15.9	108	1.6
20	20	42.9	69.9	100	60	9.6	2	4	15.9	117	2.1
25	25	50.8	79.4	110	71	9.6	2	4	15.9	127	2.7
40	40	73	98.4	125	83	12.7	2	4	15.9	165	5
50	50	92.1	120.7	150	105	14.3	2	4	19.1	203	8.6
65	65	104.8	139.7	180	121	15.9	2	4	19.1	216	13
80	80	127	152.4	190	152	17.5	2	4	19.1	241	18.5
100	100	157.2	190.5	230	173	22.3	2	8	19.1	292	33.8
125	125	185.7	215.9	255	195	22.3	2	8	19.1	330	-
150	150	215.9	241.3	280	213	23.9	2	8	22.3	356	50.3
200	200	269.9	298.5	345	244	27	2	8	22.3	495	85.2
250	250	323.8	362	405	320	28.6	2	12	25.4	622	154
300	300	381	431.8	485	354	30.2	2	12	25.4	698	210.5

unit:mm

NPS	d	G	C	D	H	T	f	N	M	L	Weight (lb)
1/2"	0.5	1.37	2.37	3.54	2.28	0.38	0.08	4	0.63	4.25	3.6
3/4"	0.75	1.69	2.75	3.94	2.36	0.38	0.08	4	0.63	4.625	4.6
1"	1	2	3.13	4.33	2.8	0.38	0.08	4	0.63	5	5.9
1-1/2"	1.5	2.87	3.87	4.92	3.27	0.5	0.08	4	0.63	6.5	10.9
2"	2	3.63	4.75	5.91	4.13	0.56	0.08	4	0.75	8	18.9
2-1/2"	2.5	4.13	5.5	7.09	4.76	0.63	0.08	4	0.75	8.5	28.6
3"	3	5	6	7.48	5.98	0.69	0.08	4	0.75	9.5	41
4"	4	6.19	7.5	9.06	6.81	0.88	0.08	8	0.75	11.5	74.5
5"	5	7.31	8.5	10.04	7.68	0.88	0.08	8	0.75	13	-
6"	6	8.5	9.5	11.02	8.39	0.94	0.08	8	0.88	14	110.9
8"	8	10.63	11.75	13.58	9.61	1.06	0.08	8	0.88	19.5	187.8
10"	10	12.75	14.25	15.94	12.6	1.13	0.08	12	1	24.5	339.5
12"	12	15	17	19.09	13.94	1.19	0.08	12	1	27.5	464.1

unit:in

ITEM	PARTS	MATERIAL
1	BODY	ASTM A351-CF8M
2	BONNET	
3	DISC	
4	HINGE	
5	FLAT WASHER	AISI 316
6	NUT	
7	GASKET A	PTFE
8	NUT	ASTM A194-8
9	STUD	ASTM A193-B8
10	PIN	AISI 316
11	SOCKET HEXAGON SCREW	
12	GASKET B	PTFE



- FEATURES :**
- Face to Face : ASME B16.10
 - Design : ASME B16.34
 - Flange Dimensions : ASME B16.5
 - Test : API 598



CHECK BY	DRAWING BY	DATE	SPECIFICATION	Flanged End Swing Check Valve Class 150
	<i>Sammy</i>	Nov.28.2014	MATERIAL	CF8M
			PROCESS/Nr.	
			UNIT / SCALE	mm

△			
△			
△	Revise	Description	Date Approve
DRAWING NO.		SS150CK	