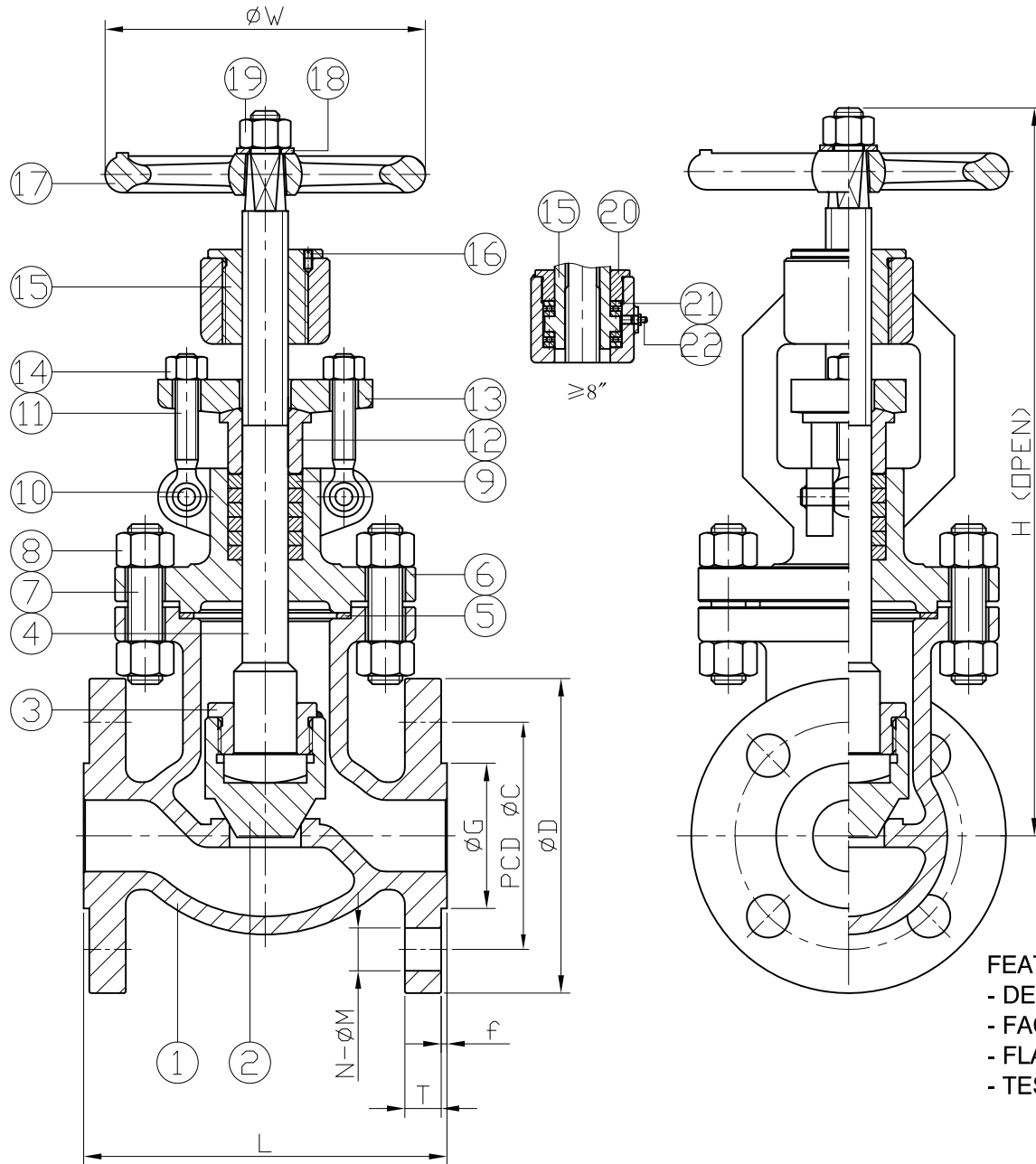


Ra	JIS
0.2	▽▽▽
1.6	▽▽
6.3	▽
25	▽
± 0.1	~
± 0.2	~
± 0.3	~
± 0.5	~
± 0.8	~

Ohio Valve Company
 4061 Clough Woods
 Drive Batavia, OH 45103
 Tel: 513-752-5600
 E-mail: sales@ohiovalve.com
 www.ohiovalve.com
 Fax: 513-752-8267



DN	G	C	D	L	H	W	T	f	N	M
15	34.9	60.3	90	108	235	100	9.6	2	4	16
20	42.9	69.9	100	117	242	100	9.6	2	4	16
25	50.8	79.4	110	127	276	120	9.6	2	4	16
32	63.5	88.9	115	140	277	120	11.2	2	4	16
40	73	98.4	125	165	295	160	12.7	2	4	16
50	92.1	120.7	150	203	318	200	14.3	2	4	19
65	104.8	139.7	180	216	330	200	15.9	2	4	19
80	127	152.4	190	241	409	240	17.5	2	4	19
100	157.2	190.5	230	292	488	280	22.3	2	8	19
125	185.7	215.9	255	356	500	320	22.3	2	8	22
150	215.9	241.3	280	406	527	350	23.9	2	8	22
200	269.9	298.5	345	495	620	400	27	2	8	22

unit:mm

NPS	G	C	D	L	H	W	T	f	N	M
1/2"	1.37	2.37	3.54	4.25	9.25	3.94	0.38	0.08	4	0.63
3/4"	1.69	2.75	3.94	4.61	9.53	3.94	0.38	0.08	4	0.63
1"	2	3.13	4.33	5	10.87	4.72	0.38	0.08	4	0.63
1-1/4"	2.5	3.5	4.53	5.51	10.91	4.72	0.44	0.08	4	0.63
1-1/2"	2.87	3.87	4.92	6.5	11.61	6.3	0.5	0.08	4	0.63
2"	3.63	4.75	5.91	7.99	12.52	7.87	0.56	0.08	4	0.75
2-1/2"	4.13	5.5	7.09	8.5	12.99	7.87	0.63	0.08	4	0.75
3"	5	6	7.48	9.49	16.1	9.45	0.69	0.08	4	0.75
4"	6.19	7.5	9.06	11.5	19.21	11.02	0.88	0.08	8	0.75
5"	7.31	8.5	10.04	14.02	19.69	12.6	0.88	0.08	8	0.87
6"	8.5	9.5	11.02	15.98	20.75	13.78	0.94	0.08	8	0.87
8"	10.63	11.75	13.58	19.49	24.41	15.75	1.06	0.08	8	0.87

unit:in

ITEM	NAME	MATERIAL
1	BODY	ASTM A351-CF8M
2	DISC	ASTM A182-F316
3	DISC COVER	
4	STEM	AISI 316
5	GASKET	PTFE
6	BONNET	ASTM A351-CF8M
7	STUD	ASTM A193-B8
8	NUT	ASTM A194-8
9	PACKING	PTFE
10	PIN	AISI 304
11	EYE BOLT	ASTM A193-B8
12	GLAND	AISI 304
13	GLAND FLANGE	ASTM A351-CF8
14	NUT	ASTM A194-8
15	STEM BUSHING	ASTM A439-D2
16	SCREW	AISI 304
17	HANDLE/WHEEL	ASTM A536 60-40-18
18	FLAT WASHER	AISI 304
19	NUT	ASTM A194-8
20	GLAND NUT	AISI 304
21	BEAR	GGr15
22	GREASE NIPPLE	COPPER

- FEATURES :
- DESIGN : ASME B16.34
 - FACE TO FACE : ASME B16.10
 - FLANGE DIMENSION : ASME B16.5
 - TEST AND INSPECTION : API 598



CHECK BY	DRAWING BY	DATE	SPECIFICATION	Flanged End Globe Valve Class 150
	<i>Sammy</i>	Mar.04.2016	MATERIAL	CF8M
			PROCESS/Nr.	
			UNIT / SCALE	mm

△			
△			
△	Revise	Description	Date Approve
DRAWING NO.		SS150GL	