

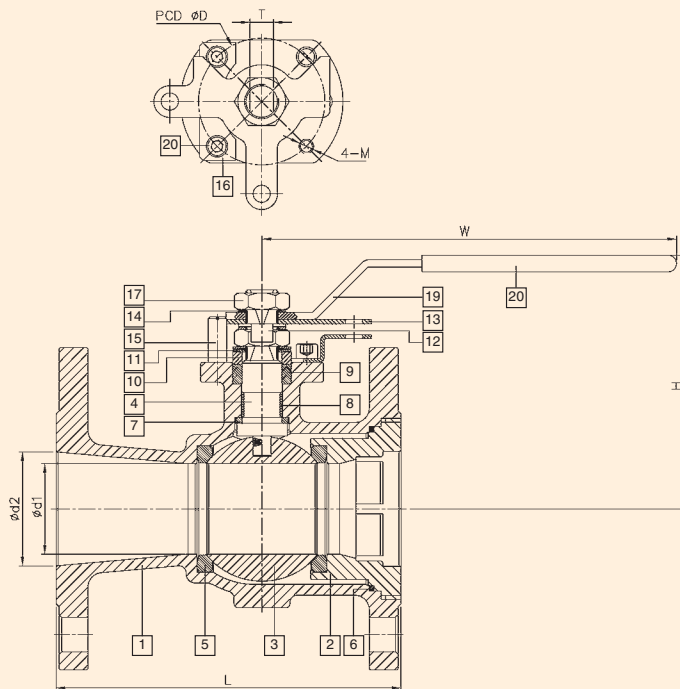
Carbon Steel Ball Valve

1-Piece Standard Port Ball Valve, ANSI 150lbs, Flanged Ends, with Locking Handle



Features

- ISO 9002
- The flanged ends refers to ANSI B 16.5
- Face to face: ANSI B 16.10
- Wall thickness: ANSI B 16.34
- Investment casting up through 4"
- Blow-out proof stem
- Standard port
- 15% glass fiberfill PTFE reinforced seat
- PTFE seal & packing
- ISO mounting pad
- Locking handle
- All valves tested and inspected to API-598



NO.	DESCRIPTION	MATERIAL
1	BODY	ASTM A216-WCB
2	CAP	ASTM A216-WCB
3	BALL	HOLLOW: ASTM A240-316
4	STEM	ASTM A276-316
5	BALL SEAT	RTFE
6	BODY SEAL	PTFE
7	THRUST WASHER 1	PTFE
8	THRUST WASHER 2	PTFE
9	PACKING	PTFE
10	GLAND RING	AISI 304
11	BELLEVILLE	AISI 304
12	WASHER	AISI 304
13	LOCK WASHER	AISI 304
14	STOPPER	AISI 304
15	FLAT WASHER	AISI 304
16	STOP PIN	AISI 304
17	BRACKET	AISI 304
18	STEM NUT	AISI 304
19	BOLT	AISI 304
20	HANDLE	PVC

SIZE	d1	d2	L	H	W	T	D	M	Torque (in-lb)	Weight (lb)
6"	4.33	5.91	10.51	9.33	30.16	1.12	4.92	1/2"-13UNC	1637	90
8"	5.91	7.87	11.50	11.40	30.16	1.12	4.92	1/2"-13UNC	3540	143

Note: Actual torque values may vary. Please consult factory.