

316 Stainless Steel Ball Valve

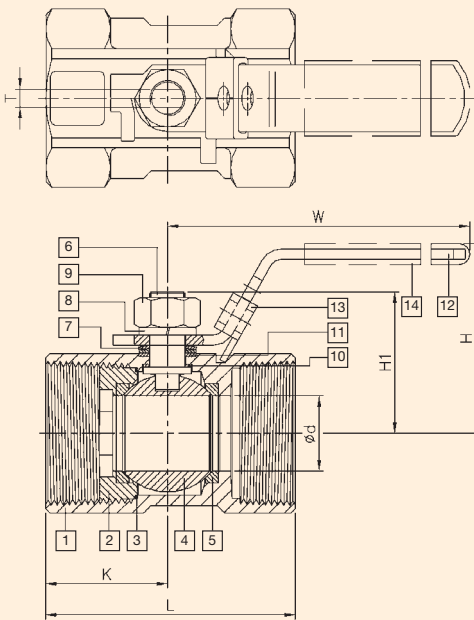
1-Piece Reduced Port Ball Valve, 1000WOG, NPT Threaded Ends, with Locking Handle

Pressure/Temperature rating in accordance with ASME B 16.34. See Pressure/Temperature chart.



Features

- ISO 9002
- The thread ends conform to ASME B 1.20.1 (NPT)
- Investment casting
- Blow-out proof stem
- Reduced port
- 1000 psi W.O.G.
- 15% glass fiberfill PTFE reinforced seat
- PTFE seal & packing
- Locking handle
- T handle available
- All valves tested and inspected to API-598



NO.	DESCRIPTION	MATERIAL
1	BODY	ASTM A351-CF8M
2	RETAINER	ASTM A351-CF8M
3	BODY SEAL	PTFE
4	BALL	ASTM A351-CF8M
5	BALL SEAT	PTFE/RTFE
6	STEM	ASTM A276-316
7	FLAT WASHER	AISI 304
8	SPRING WASHER	AISI 304
9	STEM NUT	AISI 304
10	THRUST WASHER	PTFE
11	PACKING	PTFE
12	HANDLE	AISI 304
13	LATCH LOCK	AISI 304
14	HANDLE SLEEVE	PVC

SIZE	d	L	H	H1	T	W	K	Torque (in-lb)	Weight (lb)
1/4"	0.20	1.54	1.50	0.67	0.12	2.43	0.79	8	0.15
3/8"	0.28	1.73	1.62	0.84	0.16	2.89	0.91	9	0.23
1/2"	0.35	2.22	1.60	1.03	0.20	3.73	1.14	11	0.39
3/4"	0.49	2.32	1.74	1.13	0.20	3.73	1.14	16	0.57
1"	0.59	2.80	2.22	1.44	0.24	4.39	1.38	26	0.93
1-1/4"	0.79	3.07	2.44	1.59	0.24	4.43	1.50	44	1.65
1-1/2"	0.98	3.27	2.49	1.83	0.31	6.30	1.59	66	1.87
2"	1.26	3.94	2.70	2.01	0.31	6.32	1.93	79	2.98

Note: Actual torque values may vary. Please consult factory.