

Forged Brass Ball Valve

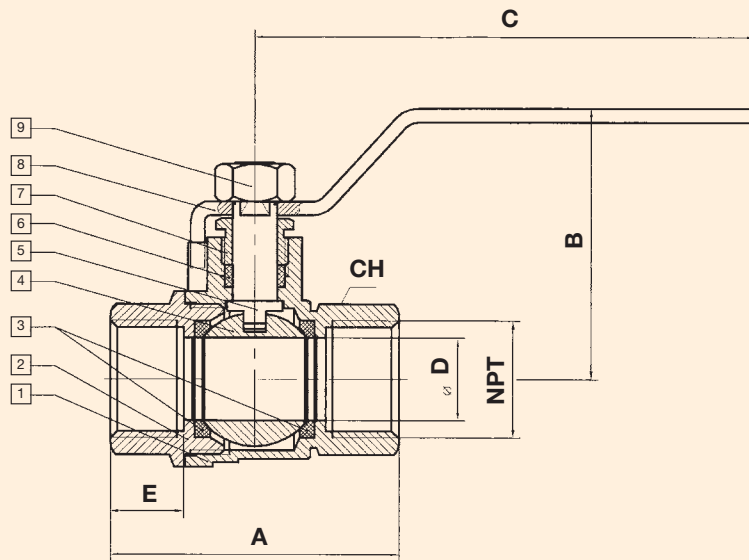
Full Port, NPT Threaded Ends, Adjustable Stem Packing Nut, UL Listed under Guides YSDT and YRPV (NPT only)

Pressure/Temperature rating in accordance with ASME B 16.34. See Pressure/Temperature chart.



Features

- NPT threaded ends
- Forged brass body
- Anti-blow out stem
- 600 W.O.G.
- 150 PSIG saturated steam
- Adjustable stem packing nut
- UL/CSA approved through 2" @ 400 W.O.G., 4" rated to 250 W.O.G.



NO.	DESCRIPTION	MATERIAL
1	BODY	FORGED BRASS, UNS#C37700
2	CAP	FORGED BRASS, UNS#C37700
3	SEAT	VIRGIN PTFE
4	BALL	COPPER ALLOY, Cu>57%, CR PLATED
5	STEM	BRASS, ASTM B16, UNS#C36000
6	PACKING	VIRGIN PTFE
7	GLAND	BRASS, ASTM B16, UNS#C36000
8	HANDLE	CORROSION RESISTANT PLATED STEEL
9	NUT	CORROSION RESISTANT PLATED STEEL

SIZE	A	B	C	D	E	CH	NPT	Weight (lb)
1/4"	1.68	1.67	2.76	0.32	0.46	0.71	1/4-18	0.33
3/8"	1.76	1.73	3.54	0.39	0.46	0.79	3/8-18	0.30
1/2"	2.05	1.92	3.54	0.58	0.52	0.98	1/2-14	0.44
3/4"	2.37	2.09	3.78	0.74	0.56	1.20	3/4-14	0.66
1"	2.76	2.59	4.53	0.95	0.63	1.49	1-11.5	1.10
1-1/4"	3.31	2.95	4.53	1.26	0.71	1.81	1 1/4-11.5	1.57
1-1/2"	3.68	3.35	5.51	1.58	0.72	2.09	1 1/2-11.5	2.40
2"	4.18	3.68	5.51	1.99	0.75	2.60	2-11.5	3.37
2-1/2"	5.36	4.76	8.68	2.52	1.08	3.39	2 1/2-8	9.00
3"	6.09	5.08	8.68	2.95	1.10	3.87	3-8	12.00
4"	7.39	5.87	9.61	3.90	1.22	4.88	4-8	18.15

Note: Actual torque values may vary. Please consult factory.