

316 Stainless Steel Ball Valve Direct Mount

2-Piece Full Port Ball Valve, ANSI 150lbs, Flanged Ends, with ISO Direct Mounting Pad and Locking Handle

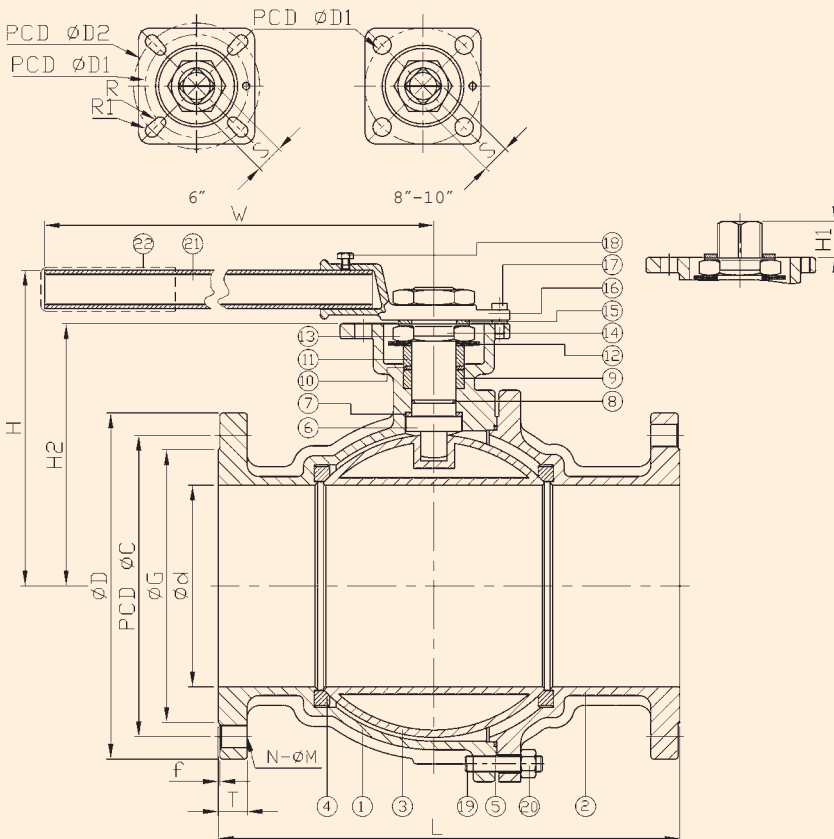
Pressure/Temperature rating in accordance with ASME B 16.34. See Pressure/Temperature chart.

**Fire Safe
API 607
Approved
For 6"!**



Features

- The flanged ends refers to ANSI B 16.5
- Face to face: ANSI B 16.10
Wall thickness: ANSI B 16.34
- Class 150
- Live loaded packing
- Anti-static device
- Investment casing
- Blow-out proof stem
- Full port
- TFM 1600 seat
- PTFE seal & packing
- ISO 5211
- Direct mounting pad
- All valves tested and inspected to API-598
- **Fire safe to API 607 4th edition**



NO.	DESCRIPTION	MATERIAL
1	BODY	ASTM A351-CF8M
2	CAP	ASTM A351-CF8M
3	BALL	ASTM A351-CF8M
4	BALL SEAT	TFM 1600
5	BODY SEAL	GRAPHITE
6	STEM	A276-316
7	THRUST WASHER	CTFE
8	O-RING	VITON
9	PACKING A	GRAPHITE
10	PACKING B	CTFE
11	GLAND RING	AISI 304
12	BELLEVILLE WASHER	AISI 301
13	STEM NUT	AISI 304
14	LOCK WASHER	AISI 304
15	FLAT WASHER	AISI 304
16	HANDLE HEAD	AISI 304
17	STOP PIN	AISI 304
18	BOLT	AISI 304
19	STUD	AISI 304
20	NUT	AISI 304
21	STEEL TUBE	AISI 304
22	HANDLE SLEEVE	PVC

NPS	d	D	C	G	M	N	f	T	D1	D2	R	R1	H	H1	H2	L	S	W	ISO 5211	Torque (in-lb)	Weight (lb)
6"	5.91	10.98	9.51	8.5	0.88	8	0.06	1	4.02	4.92	0.22	0.26	9.06	1.08	7.91	15.51	1.06	29.25	F10/F12	2212.7	114.6
8"	7.87	13.5	11.75	10.63	0.88	8	0.06	1.13	5.51	-	0.22	-	12.28	1.42	10.2	17.99	1.42	33.07	F14	4159.8	194
10"	9.84	15.98	14.25	12.76	1	12	0.06	1.19	5.51	-	0.22	-	13.78	1.42	11.61	20.98	1.42	40.94	F14	6638	315.3

Note: Actual torque values may vary. Please consult factory.