

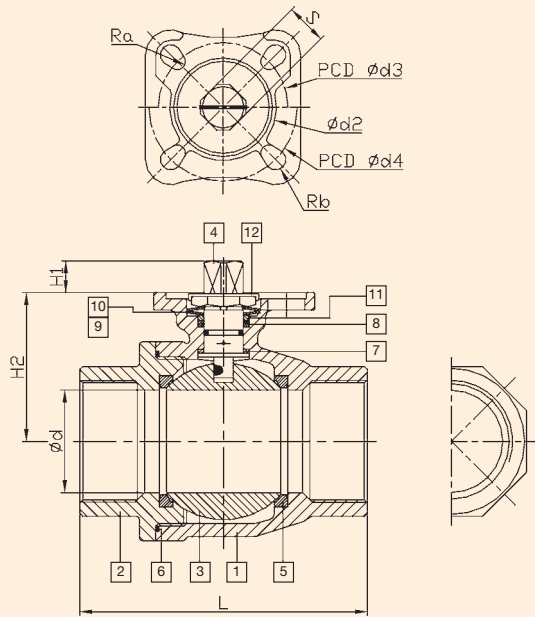
## 316 Stainless Steel Ball Valve Direct Mount 2-Piece Full Port Ball Valve, 1000WOG, NPT Threaded Ends

Pressure/Temperature rating in accordance with ASME B 16.34. See Pressure/Temperature chart.



### Features

- ISO 9002
- The thread ends conform to ASME B 1.20.1 (NPT)
- Blow-out proof stem
- Full port
- 1000 psi W.O.G.
- ISO 5211 Direct Mounting Pad
- Anti-Static Device
- Live Load Packing, Fixed Springload
- All valves tested and inspected to API-598



NO.	DESCRIPTION	MATERIAL
1	BODY	ASTM A351-CF8M
2	CAP	ASTM A351-CF8M
3	BALL	ASTM A351-CF8M
4	STEM	ASTM A276-316
5	BALL SEAT	TFM 1600
6	GASKET	PTFE
7	THRUST WASHER	PTFE
8	PACKING	PTFE
9	O-RING	VITON
10	DISC SPRING	AISI 301
11	GLAND RING	AISI 304
12	LOCK WASHER	AISI 304

SIZE	d	L	S	h1	h2	d2	d3	d4	R1	R2	ISO 5211	Torque (in-lb)	Weight (lb)
1/4"	0.31	2.95	0.35	0.31	1.54	1.22	1.42	1.65	0.11	0.11	F03/F04	32	1.10
3/8"	0.39	2.95	0.35	0.31	1.54	1.22	1.42	1.65	0.11	0.11	F03/F04	32	1.10
1/2"	0.59	2.95	0.35	0.31	1.54	1.22	1.42	1.65	0.11	0.11	F03/F04	32	1.10
3/4"	0.79	3.15	0.35	0.31	1.73	1.22	1.42	1.65	0.11	0.11	F03/F04	58	1.30
1"	0.98	3.56	0.43	0.35	1.87	1.40	1.65	1.97	0.11	0.14	F04/F05	85	2.20
1-1/4"	1.26	4.33	0.43	0.47	2.09	1.40	1.65	1.97	0.11	0.14	F04/F05	98	3.30
1-1/2"	1.50	4.72	0.55	0.51	2.54	2.20	1.97	2.76	0.14	0.18	F05/F07	116	5.10
2"	1.97	5.51	0.55	0.53	2.87	2.20	1.97	2.76	0.14	0.18	F05/F07	461	7.90

Note: Actual torque values may vary. Please consult factory.