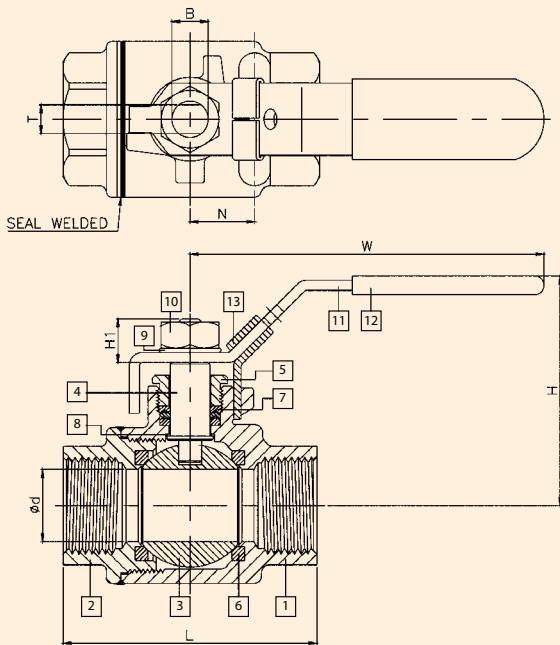


2-Piece Stainless **OVC# 266FT-NACE/Seal Welded**

316 Stainless Steel Ball Valve

2-Piece Full Port Ball Valve, 2000/1500WOG NPT Threaded Ends

Pressure/Temperature rating in accordance with ASME B 16.34. See Pressure/Temperature chart.



Features

- ISO 9002
- The thread ends conform to ASME B 1.20.1 (NPT)
- Investment casting
- Blow-out proof stem
- Full port
- 2000# (1/4" thru 1")
1500# (1-1/4" thru 2")
- 15% glass fiberfill PTFE reinforced seat
- PTFE seal & packing
- Latch lock handle
- All valves tested and inspected to API-598
- NACE MR0175
- Seal welded ends

NO.	DESCRIPTION	MATERIAL
1	BODY	ASTM A351-CF8M
2	CAP	ASTM A351-CF8M
3	BALL	ASTM A351-CF8M
4	STEM	ASTM A276-316
5	GLAND NUT	AISI 304
6	SEAT	RTFE
7	PACKING	GRAPHITE
8	THRUST WASHER	CTFE
9	SPRING WASHER	AISI 304
10	NUT	AISI 304
11	HANDLE	AISI 304
12	HANDLE SLEEVE	PVC
13	LOCKING DEVICE	AISI 304

NPS	d	L	W	H	H1	B	T	Torque (m-lb)	Weight (lb)
1/4"	0.46	2.38	4.02	2.11	0.41	5/16"	0.20	46	0.90
3/8"	0.50	2.38	4.02	2.11	0.41	5/16"	0.20	57	0.70
1/2"	0.59	2.46	4.02	2.24	0.41	5/16"	0.20	57	0.90
3/4"	0.80	3.03	4.88	2.44	0.53	3/8"	0.26	57	1.30
1"	1.01	3.54	6.50	3.15	0.62	7/16"	0.31	101	2.40
1-1/4"	1.26	3.94	6.50	3.30	0.62	7/16"	0.31	254	3.50
1-1/2"	1.50	4.65	7.40	3.90	0.67	1/2"	0.35	288	5.10
2"	2.00	5.43	7.40	4.21	0.67	1/2"	0.35	392	8.40

Note: Actual torque values may vary. Please consult factory.

TOLL FREE (877) 423-2660 • (513) 752-5600 • FAX (513) 752-8267
EMAIL sales@ohiovalve.com • WEB www.ohiovalve.com