

## Carbon Steel Ball Valve

### 3-Piece Full Port Ball Valve, 2000/1500WOG, with ISO Mounting Pad and Locking Handle

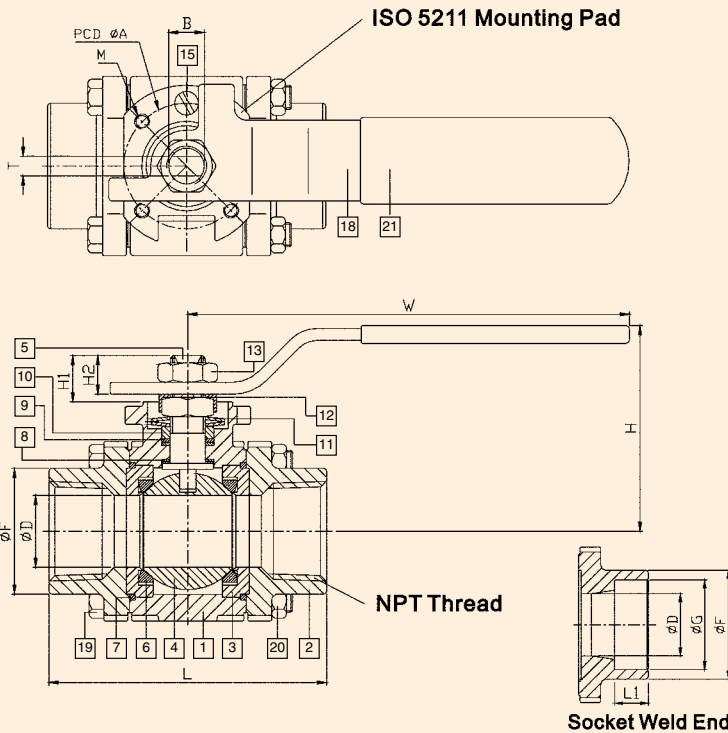
Pressure/Temperature rating in accordance with ASME B 16.34. See Pressure/Temperature chart.

**Fire Safe  
API 607  
Approved!**



#### Features

- FW = socketweld
- FT = threaded
- ISO 9002
- The thread ends conform to ASME B 1.20.1(NPT) DIN 2999 & BS21
- Investment casting
- Blow-out proof stem
- Full port
- 2000# (1/4" thru 1")  
1500# (1-1/4" thru 2") psi W.O.G.
- 15% glass fiberfill PTFE reinforced seat
- Mounting pad refers to ISO 5211 & DIN 3337
- Latch lock handle
- SW ends conform to ASME B16.11
- All valves tested and inspected to API-598
- **API 607 Fire safe approved**



NO.	DESCRIPTION	MATERIAL
1	BODY	ASTM A216-WCB
2	CAP	ASTM A216-WCB
3	RETAINER	ASTM A216-WCB
4	BALL	ASTM A216-WCB
5	STEM	ASTM A276-316
6	SEAT	RTFE
7	SEAL	GRAPHITE
8	THRUST WASHER	CTFE
9	PACKING	GRAPHITE
10	GLAND RING	AISI 304
11	BELLEVILLE WASHER	AISI 301
12	LOCKING WASHER	ASTM A167-304
13	STEM NUT	ASTM A194-8A
14	WRENCH BLOCK	AISI 304
15	LOCKING PAD	AISI 304
16	HEX HEAD BOLT	AISI 304
17	STOP PIN	AISI 304
18	HANDLE	AISI 304
19	BOLT	ASTM A193-B8A
20	NUT	ASTM A194-8A
21	HANDLE SLEEVE	PVC

NPS	D	E	F	G	L	L1	H	H1	H2	W	T	A	ISO 5211	M	S	Torque (in-lb)	Weight (lb)
1/4"	0.31	0.53	0.98	0.55	2.59	0.39	2.24	0.48	0.39	4.47	0.22	1.42	F03	M5*0.8	3/8"-24UNF	34	0.8
3/8"	0.39	0.69	0.98	0.71	2.59	0.39	2.24	0.48	0.39	4.47	0.22	1.42	F03	M5*0.8	3/8"-24UNF	34	0.8
1/2"	0.59	0.92	1.19	0.87	2.94	0.39	2.24	0.48	0.39	4.47	0.22	1.42	F03	M5*0.8	3/8"-24UNF	34	1.1
3/4"	0.79	1.13	1.42	1.08	3.16	0.51	2.35	0.57	0.42	4.47	0.22	1.42	F03	M5*0.8	3/8"-24UNF	46	1.6
1"	0.94	1.37	1.76	1.36	3.66	0.51	3.21	0.61	0.55	5.75	0.30	1.65	F04	M5*0.8	7/16"-20UNF	91	2.3
1-1/4"	1.18	1.68	2.13	1.69	4.35	0.51	3.38	0.61	0.59	5.75	0.30	1.65	F04	M5*0.8	7/16"-20UNF	141	3.6
1-1/2"	1.50	1.97	2.44	1.93	4.83	0.51	3.81	1.07	0.74	7.09	0.34	1.97	F05	M5*1.0	9/16"-18UNF	186	5.3
2"	1.97	2.51	2.99	2.41	5.51	0.63	4.13	1.11	0.75	7.09	0.34	1.97	F05	M5*1.0	9/16"-18UNF	285	7.7

Note: Actual torque values may vary. Please consult factory.