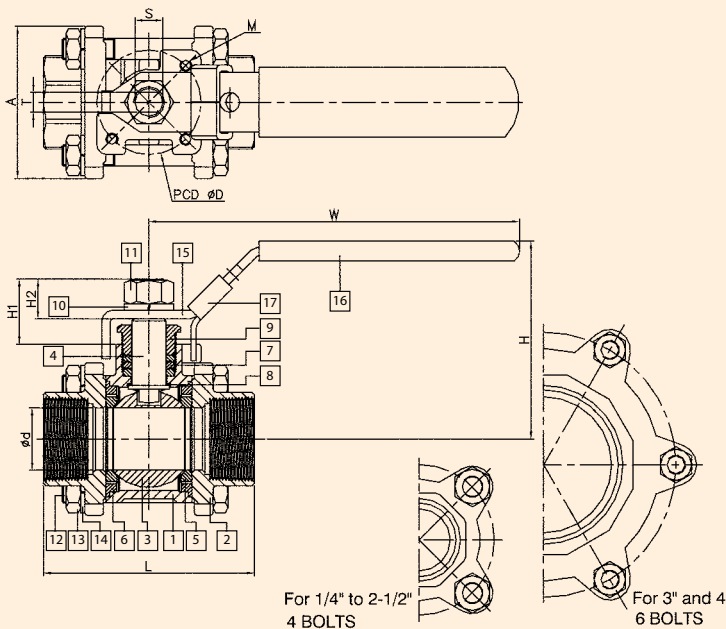


## 316 Stainless Steel Ball Valve

### 3-Piece Full Port Ball Valve, 1000WOG, with Mounting Pad and Locking Handle

Pressure/Temperature rating in accordance with ASME B 16.34. See Pressure/Temperature chart.



#### Features

- FW = Socketweld
- FT = Threaded
- ISO 9002
- The thread ends conform to ASME B 1.20.1(NPT) ISO 228/1 & ISO 7/1
- Investment casting
- Blow-out proof stem
- Full port
- 1000 psi W.O.G.
- 15% glass fiberfill PTFE reinforced seat
- PTFE seal & packing
- Mounting pad refers to ISO 5211
- Latch lock handle
- All valves tested and inspected to API-598
- SW ends conform to ASME B 16.11

NO.	DESCRIPTION	MATERIAL
1	BODY	ASTM A351-CF8M
2	CAP	ASTM A351-CF8M
3	BALL	ASTM A351-CF8M
4	STEM	ASTM A276-316
5	SEAT	RTFE
6	DEAL	PTFE
7	PACKING	PTFE
8	THRUST WASHER	PTFE
9	GLAND NUT	AISI 304
10	SPRING WASHER	AISI 304
11	STEM NUT	AISI 304
12	BOLT	AISI 304
13	NUT	AISI 304
14	SPRING WASHER	AISI 304
15	HANDLE	AISI 304
16	HANDLE SLEEVE	PVC
17	LOCKING DEVICE	AISI 304

NPS	d	L	H	W	D	A	M	S	T	H1	H2	ISO 5211	Torque(in-lb)	Weight(lb)
1/4"	0.46	2.56	2.30	3.94	1.42	1.57	M5	3/8"-24UNF	0.20	0.76	0.53	F03	67	0.8
3/8"	0.49	2.56	2.30	3.94	1.42	1.57	M5	3/8"-24UNF	0.20	0.76	0.53	F03	67	0.8
1/2"	0.59	2.56	2.44	3.94	1.42	1.84	M5	3/8"-24UNF	0.20	0.76	0.53	F03	67	1.1
3/4"	0.79	2.95	2.44	4.92	1.42	2.06	M5	7/16"-20UNF	0.26	0.88	0.63	F03	67	1.6
1"	0.98	3.35	3.03	5.87	1.65	2.29	M5	7/16"-20UNF	0.31	1.01	0.64	F04	111	2.3
1-1/4"	1.26	3.98	3.23	5.87	1.65	2.74	M5	7/16"-20UNF	0.31	1.01	0.64	F04	133	3.6
1-1/2"	1.50	4.41	3.94	7.48	1.97	3.06	M6	1/2"-20UNF	0.39	1.17	0.79	F05	177	5.3
2"	1.97	5.12	4.25	7.48	1.97	3.55	M6	1/2"-20UNF	0.39	1.17	0.79	F05	222	7.7
2-1/2"	2.48	6.38	5.39	9.84	2.76	4.51	M8	3/4"-10UNF	0.47	1.55	1.08	F07	567	14.8
3"	2.99	7.40	5.71	9.84	2.76	6.64	M8	3/4"-10UNF	0.47	1.55	1.08	F07	753	21.6
4"	3.78	8.82	7.05	12.72	4.02	8.48	M10	1"-8UNF	0.63	2.11	1.57	F10	841	42.3

Note: Actual torque values may vary. Please consult factory.