

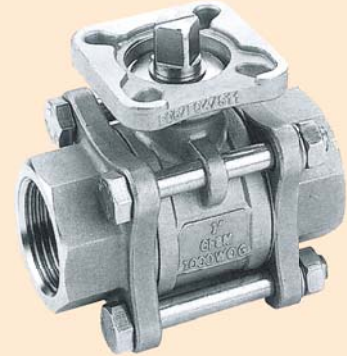
3-Piece Stainless **FIG# 366FT-DM/366FW-DM**

316 Stainless Steel Ball Valve 3-Piece Full Port Ball Valve, 1000WOG, with ISO Direct Mounting Pad

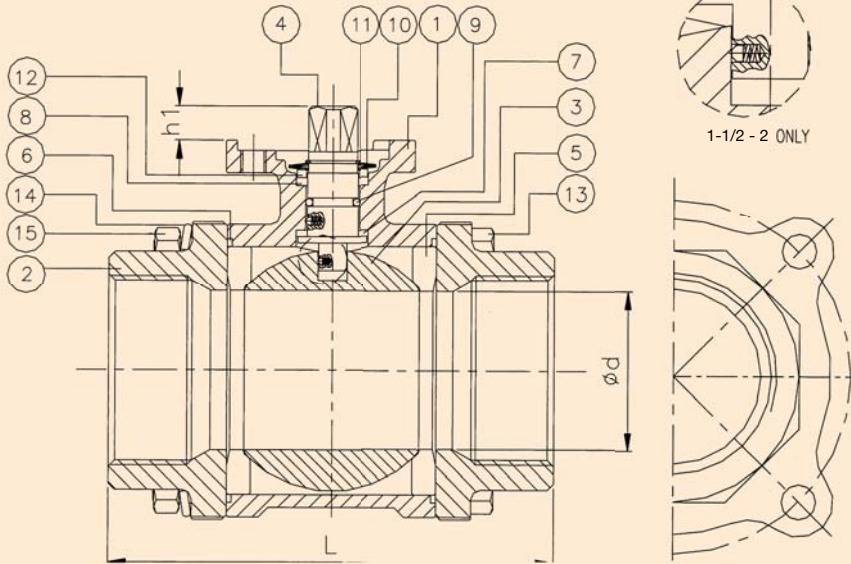
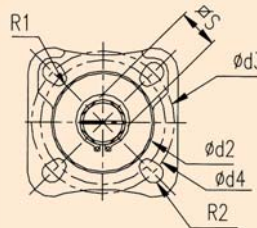
Pressure/Temperature rating in accordance with ASME B 16.34. See Pressure/Temperature chart.

Features

- ISO 9002
- The thread ends conform to ASME B 1.20.1 (NPT)
- Investment casting
- Blow-out proof system
- Full port
- 1000 psi W.O.G.
- 15% glass fiberfill PTFE reinforced seat
- Mounting pad refers to ISO 5211 & DIN 3337
- Latch lock handle
- **FW-DM = Socketweld**
- **FT-DM = Threaded**
- SW ends conform to ASME B 16.11
- All valves tested and inspected to API-598
- Handles POA



DIRECT MOUNT



ITEM	PARTS	MATERIAL
1	BODY	ASTM A351-CF8M
2	CAP	ASTM A351-CF8M
3	BALL	ASTM A351-CF8M
4	STEM	ASTM A276-316
5	SEAT	RTFE
6	GASKET	PTFE
7	THRUST WASHER	PTFE
8	PACKING	PTFE
9	O-RING	VITON
10	HANDLE	AISI 304
11	DISC SPRING	50CrV4
12	STEM NUT	AISI 304
13	STOPPER (Lock Pad)	AISI 304
14	GLAD RING	AISI 304
15	BOLT	AISI 304
16	SPRING WASHER	AISI 304
17	NUT	AISI 304
18	SLEEVE	PVC

1000 WOG	SIZE	d	L	ISO 5211	A	B	S	h1	d1	d2	d3	d4	R1	R2	WT	TORQUE IN LBS
	1/2"	0.59	2.95	F03/F04	1.65	0.24	0.35	0.31	0.87	1.22	1.42	1.65	0.11	0.11	1.2	50
	3/4"	0.79	3.15						1.07							
	1"	0.98	3.54	F04/F05	1.97	0.3	0.43	0.39	1.36	1.4	1.65	1.97	0.11	0.14	2.3	100
	1-1/4"	1.26	4.32						1.70							
	1-1/2"	1.5	4.7	F05/F07	2.76	0.33	0.55	0.55	1.92	2.2	1.97	2.76	0.14	0.18	5.4	210
	2"	1.97	5.51						2.41							
	2-1/2"	2.56	7.28	F07/F10	3.94	0.39	0.67	0.67	2.76	2.76	2.76	4.02	0.18	0.22	21.3	500
	3"	2.99	8.07						2.76							

Note: Actual torque values may vary. Please consult factory.

TOLL FREE (877) 423-2660 • (513) 752-5600 • FAX (513) 752-8267
EMAIL sales@ohiovalve.com • WEB www.ohiovalve.com