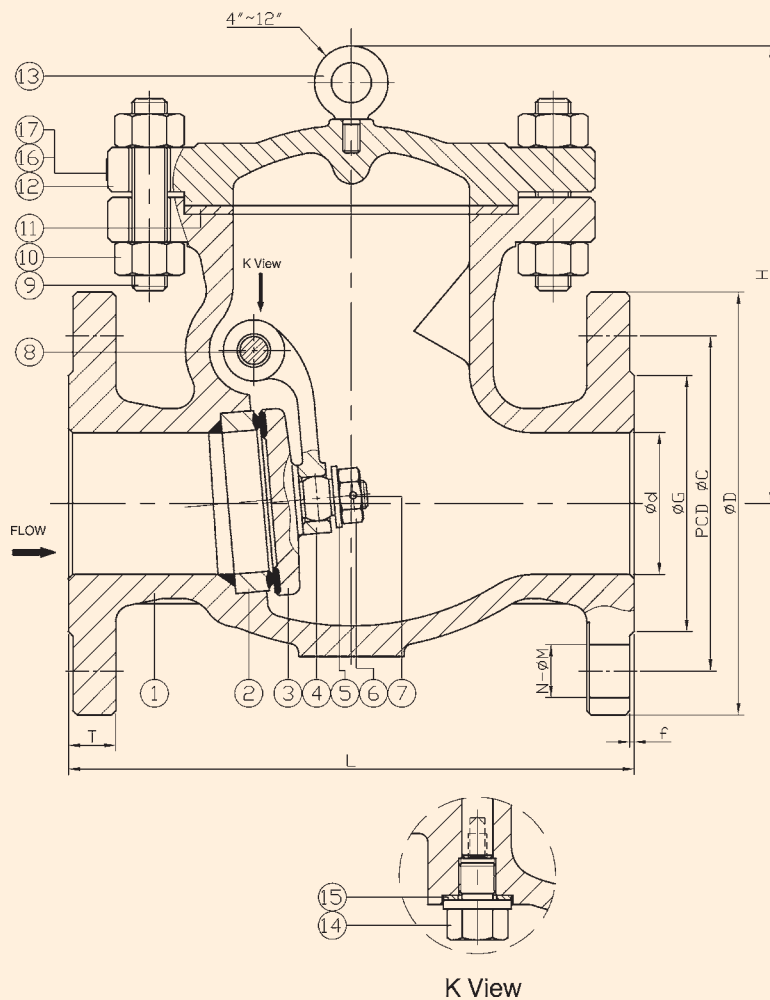


# OVC# CS300CK *Class 300 Carbon Steel Check Valve*

## Features

- Dimension of flange: ASME B16.5
- Face to face: ASME B16.10
- Test: API 598
- Design: ASME B16.34 / BS1868



NO.	DESCRIPTION	MATERIAL
1	BODY	ASTM A216-WCB
2	SEAT	ASTM A105+STL#6
3	DISC	ASTM A105+Cr13
4	HINGE	ASTM A216-WCB
5	DISC WASHER	ASTM A276-410
6	DISC NUT	ASTM A276-410
7	DISC NUT PIN	ASTM A276-410
8	HINGE PIN	ASTM A182+-F6a
9	STUD	ASTM A193-B7
10	NUT	ASTM A194-2H
11	GASKET	SPW SS 304+GRAPHITE
12	CAP	ASTM A216-WCB
13	EYEBOLT	CARBON STEEL
14	PLUG	ASTM A276-410
15	WASHER	ASTM A276-304
16	NAMEPLATE	SS 304
17	RIVET	SS 304

NPS	d	G	C	D	L	H	T	f	N	M	Weight (lb)
2"	2	3.62	5	6.5	10.5	6.22	0.91	0.06	8	0.75	46.3
2-1/2"	2.5	4.13	5.87	7.48	11.5	6.5	1.02	0.06	8	0.87	79.4
3"	3	5	6.63	8.27	12.5	6.93	1.14	0.06	8	0.87	94.8
4"	4	6.18	7.87	10	14	10.08	1.26	0.06	8	0.87	134.5
6"	6	8.5	10.63	12.52	17.5	12.05	1.46	0.06	12	0.87	288.8
8"	8	10.63	12.99	15	21	14.25	1.65	0.06	12	0.98	469.6
10"	10	12.76	15.26	17.52	24.5	17.87	1.89	0.06	16	1.14	846.6
12"	12	15	17.76	20.51	28	19.65	2.01	0.06	16	1.26	989.9

\* Other sizes available upon request.

TOLL FREE (877) 423-2660 • (513) 752-5600 • FAX (513) 752-8267  
 EMAIL sales@ohiovalve.com • WEB www.ohiovalve.com