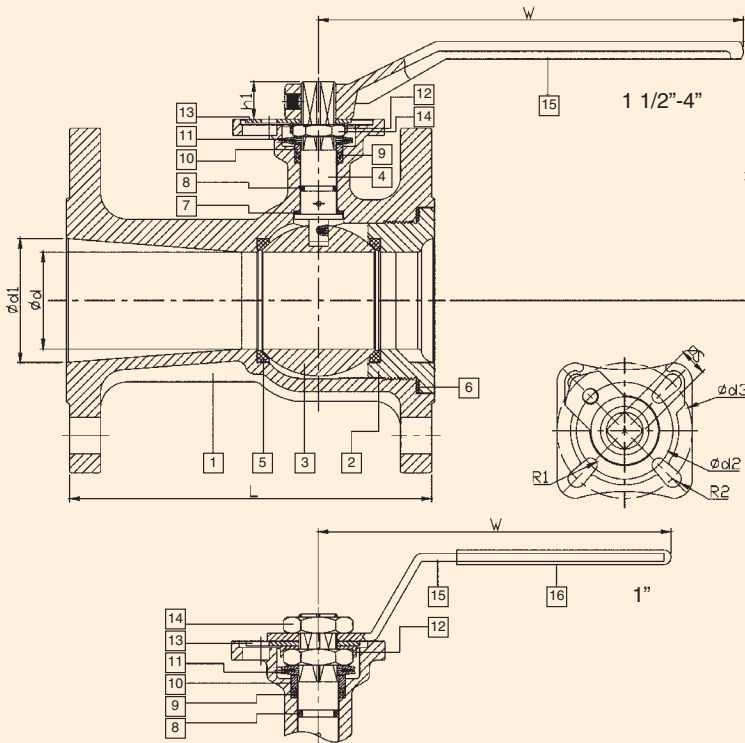


316 Stainless Steel Ball Valve

1-Piece Standard Port Ball Valve, ANSI 150lbs, Flanged Ends, Locking Handle, Direct Mount

Pressure/Temperature rating in accordance with ASME B 16.34. See Pressure/Temperature chart.

**Fire Safe
API 607
Approved!**



Features

- ISO 9002
- The flanged ends refers to ANSI B 16.5
- Face to face: ANSI B 16.10
Wall thickness: ANSI B 16.34
- Investment casting up through 4"
- Blow-out proof stem
- Standard port
- TFM1600 seat
- PTFE seal & packing (live loaded)
- ISO mounting pad
- Locking handle
- All valves tested and inspected to API-598
- Direct mount for actuation
- **API 607 Fire safe approved**

NO.	DESCRIPTION	MATERIAL
1	BODY	ASTM A351-CF8M
2	RETAINER	ASTM A351-CF8M
3	BALL	ASTM A351-CF8M
4	STEM	ASTM A276-316
5	SEAT	TFM1600
6	SEAL	GRAPHITE
7	THRUST WASHER	CTFE
8	O-RING	VITON
9	PACKING	GRAPHITE
10	GLAND RING	AISI 304
11	BELLEVILLE	AISI 304
12	WASHER	AISI 304
13	LOCKING WASHER	AISI 304
14	LOCKING PAD	AISI 304
15	STEM NUT	AISI 304
16	HANDLE	PVC

SIZE	d	d1	L	H	W	ISO 5211	S	h1	d2	d3	R1	R2	Torque (in-lb)	Weight (lb)
1"	0.79	0.98	5.00	3.15	4.61	F03/F04	0.35	0.32	1.42	1.65	0.11	0.11	87	6.00
1-1/2"	1.18	1.57	6.50	3.54	6.30	F04/F05	0.43	0.41	1.65	1.97	0.11	0.14	185	11.50
2"	1.50	1.97	7.01	4.61	8.70	F05/F07	0.55	0.55	1.97	2.76	0.14	0.18	265	15.00
2-1/2"	1.97	2.52	7.50	5.12	8.70	F05/F07	0.55	0.61	1.97	2.76	0.14	0.18	334	25.00
3"	2.52	2.99	7.99	5.28	12.80	F07/F10	0.67	0.73	2.76	4.02	0.18	4.02	426	32.00
4"	2.99	3.94	9.02	6.18	12.80	F07/F10	0.67	0.79	2.76	4.02	0.18	4.02	495	47.00

Note: Actual torque values may vary. Please consult factory. 6" and 8" not direct mount.