

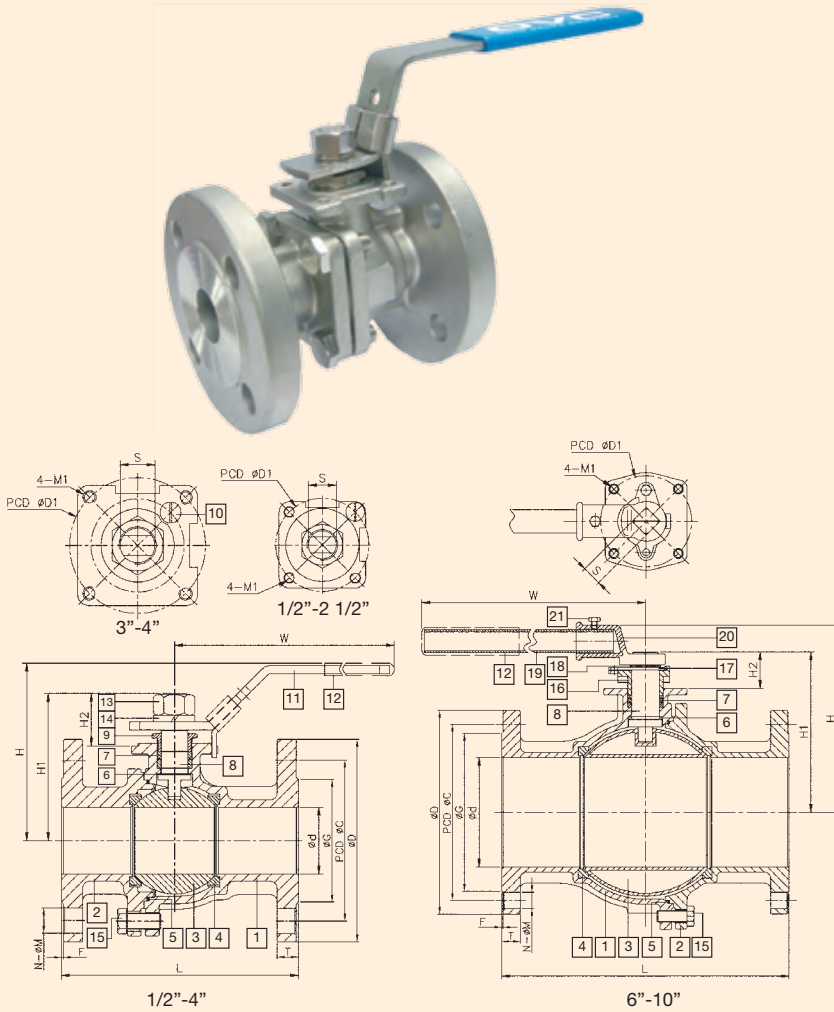
316 Stainless Steel Ball Valve

2-Piece Full Port Ball Valve, ANSI 150lbs, Flanged Ends, with Locking Handle

Pressure/Temperature rating in accordance with ASME B 16.34. See Pressure/Temperature chart.

Features

- ISO 9002
- The flanged ends refers to ANSI B 16.5
- Face to face: ANSI B 16.10
Wall thickness: ANSI B 16.34
- Investment casting up through 4"
- Blow-out proof stem
- Full port
- Class 150
- TFM1600 seat
- PTFE seal & packing
- ISO mounting pad
- Locking handle
- All valves tested and inspected to API-598



NO.	DESCRIPTION	MATERIAL
1	BODY	ASTM A351-CF8M
2	CAP	ASTM A351-CF8M
3	BALL	ASTM A351-CF8M
4	BALL SEAT	TFM1600
5	BODY SEAL	PTFE
6	THRUST WASHER	PTFE
7	PACKING	PTFE
8	STEM	ASTM A276-316
9	GLAND NUT	AISI 304
10	STOP PIN	AISI 304
11	HANDLE	AISI 304
12	HANDLE SLEEVE	PVC
13	STEM NUT	AISI 304
14	SPRING WASHER	AISI 304
15	BOLT	AISI 304
16	GLAND	AISI 304
17	STOPPER	AISI 304
18	CIRCLIPS FOR SHAFT	AISI 304
19	STEEL TUBE	AISI 304
20	WRENCH BLOCK	AISI 304
21	BOLT	AISI 304

SIZE	d	L	T	F	N	M	G	C	D	H	H1	H2	S	W	D1	M1	Torque (in-lb)	Weight (lb)
1/2"	0.59	4.25	0.38	0.06	4	0.63	1.38	2.38	3.50	3.39	2.25	0.93	0.44	6.65	1.65	M5	67	3.7
3/4"	0.79	4.61	0.38	0.06	4	0.63	1.69	2.76	3.90	3.50	2.36	0.93	0.44	6.65	1.65	M5	68	4.6
1"	0.98	5.00	0.38	0.06	4	0.63	2.01	3.11	4.25	4.06	2.89	1.14	0.50	8.09	1.97	M6	155	6.4
1-1/4"	1.26	5.51	0.44	0.06	4	0.63	2.50	3.50	4.61	4.06	3.09	1.14	0.50	8.09	1.97	M6	178	8.6
1-1/2"	1.50	6.50	0.50	0.06	4	0.63	2.88	3.88	5.00	5.12	4.05	1.55	0.75	10.51	2.76	M8	222	12.6
2"	1.97	7.01	0.57	0.06	4	0.75	3.62	4.75	5.98	5.31	4.35	1.55	0.75	10.51	2.76	M8	337	18.5
2-1/2"	2.56	7.48	0.63	0.06	4	0.75	4.12	5.47	7.01	5.79	4.80	1.52	0.75	11.38	2.76	M8	399	29.3
3"	3.15	7.99	0.69	0.06	4	0.75	5.00	5.98	7.48	6.54	5.59	1.69	0.75	15.35	4.02	M10	772	36.2
4"	3.94	9.00	0.88	0.06	8	0.75	6.19	7.50	8.98	7.13	6.18	1.69	0.75	15.35	4.02	M10	872	61.1
6"	5.91	15.51	1.00	0.06	8	0.87	8.50	9.51	10.98	10.10	8.66	1.97	1.06	29.25	4.92	M12	1682	119.0
8"	7.87	17.99	1.13	0.06	8	0.89	10.63	11.75	13.50	13.15	11.83	3.37	1.42	33.07	5.51	M16	4160	194.0
10"	9.84	20.98	1.19	0.06	12	1.00	12.76	14.25	15.98	14.88	13.17	2.93	1.42	40.94	5.51	M16	6638	359.4

Note: Actual torque values may vary. Please consult factory.