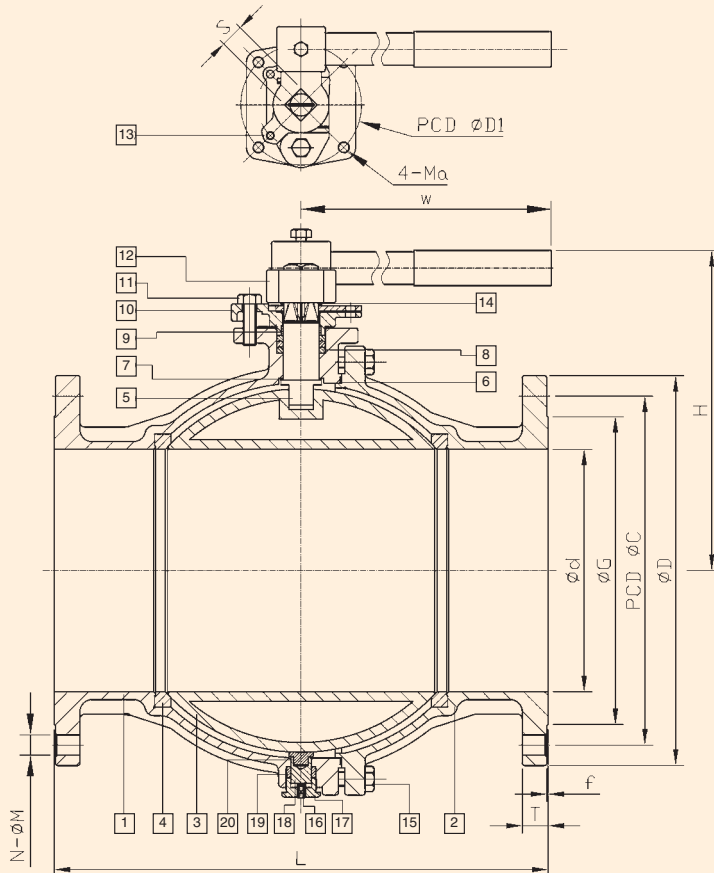


## 316 Stainless Steel Ball Valve

### 2-Piece Full Port Ball Valve, ANSI 300lbs, Flanged Ends with Locking Handle

Pressure/Temperature rating in accordance with ASME B 16.34. See Pressure/Temperature chart.



#### Features

- ISO 9002
- The flange ends refers to ANSI B 16.5
- Face to Face: ANSI B 16.10
- Wall thickness: ANSI B 16.34
- Investment casting thru 6"
- Blow-out proof stem
- Full port
- Class 300
- TFM 1600 seat
- PTFE seal & packing
- ISO mounting pad
- Locking handle
- All valves tested and inspected to API-598

NO.	DESCRIPTION	MATERIAL
1	BODY	ASTM A351-CF8M
2	CAP	ASTM A351-CF8M
3	BALL	ASTM A351-CF8M
4	SEAT	TFM 1600
5	STEM	SUS 316
6	GASKET	PTFE
7	THRUST WASHER	PTFE
8	PACKING	PTFE
9	STEM PACKING	PTFE
10	GLAND	ASTM A351-CF8
11	GLAND BOLT	ASTM A193-B8
12	HANDLE	ASTM A216-WCB
13	STOPPER	CARBON STEEL
14	SNAP RING	SUS 301
15	BOLT	ASTM A193-B8
16	TURNING SCREW	SUS 304
17	SUPPORT NUT	ASTM A351-CF8
18	SUPPORT PIN	SUS 304
19	PIN PACKING	PTFE
20	PIN SEAT	PTFE

NPS	d	G	C	D	L	H	W	T	f	N	M	D1	M	S	ISO5211	Torque (in-lb)
8"	7.87	10.63	12.99	15	19.76	12.01	39.37	1.63	0.06	12	0.98	4.92	M12	1.26	F12	6903.5
10"	9.84	12.76	15.26	17.48	22.36	13.82	39.37	1.56	0.06	16	1.14	5.51	M16	1.26	F14	9204.7
12"	11.81	15	15	20.51	25.51	15.31	39.37	2	0.06	16	1.26	5.51	M16	1.26	F14	11505.9

Note: Actual torque values may vary. Please consult factory.