

2-Piece Stainless

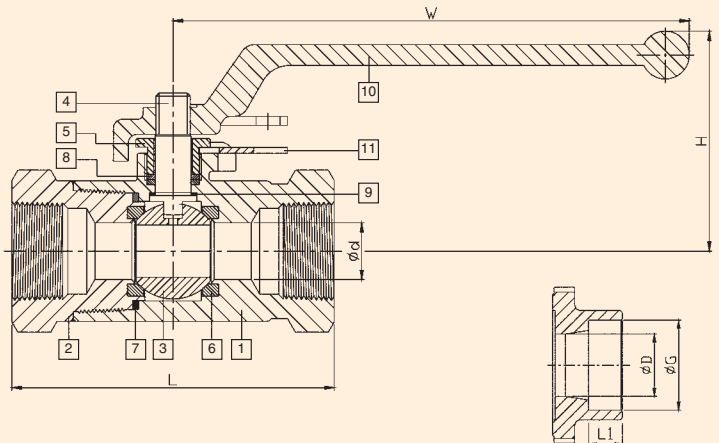
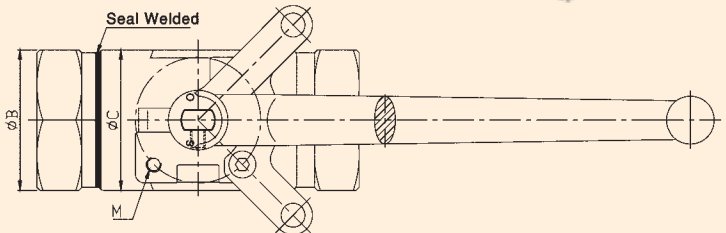
OVC# 3266HP/3266HPW

316 Stainless Steel Ball Valve

**2-Piece High Pressure Ball Valve, Seal-Welded,
3600WOG, Threaded and Socket Weld**

Pressure/Temperature rating in accordance with ASME B 16.34. See Pressure/Temperature chart.

**Fire Safe
API 607
Approved!**



Socket Weld End

Features

- ISO 9002
- The thread ends conform to ASME B 1.20.1 (NPT)
- SW ends conform to ASME B 16.11
- Investment casting
- Blow-out proof stem
- Full or standard port
- 3600 psi W.O.G.
- Peek seats
- Graphite seal & packing
- Locking handle
- All valves tested and inspected to API-598
- **Seal welded end**
- **NACE MR0175**
- **API 607 Fire safe approved**

| NO. | DESCRIPTION | MATERIAL |
|-----|---------------|----------------|
| 1 | BODY | ASTM A351-CF8M |
| 2 | CAP | ASTM A351-CF8M |
| 3 | BALL | ASTM A351-CF8M |
| 4 | STEM | ASTM A276-316 |
| 5 | GLAND NUT | AISI 304 |
| 6 | SEAT | PEEK |
| 7 | SEAL | GRAPHITE |
| 8 | PACKING | GRAPHITE |
| 9 | THRUST WASHER | CTFE |
| 10 | HANDLE | AISI 304 |
| 11 | LOCKING PAD | AISI 304 |

| NPS | L | L1 | D | G | H | W | d | B | C | ISO 5211 | M | Torque (in-lb) | Weight (lb) |
|----------|------|------|------|------|------|------|------|------|------|----------|----------|----------------|-------------|
| 1/4" F | 3.00 | 0.39 | 0.31 | 0.55 | 2.23 | 5.59 | 0.25 | 1.26 | 1.54 | F03 | M5*P0.8 | 85 | 1.50 |
| 1/2" F | 4.00 | 0.39 | 0.59 | 0.87 | 2.23 | 5.59 | 0.50 | 1.26 | 1.54 | F03 | M5*P0.8 | 85 | 1.70 |
| 3/4" F | 4.25 | 0.51 | 0.79 | 1.08 | 3.00 | 6.81 | 0.75 | 1.85 | 1.85 | F04 | M5*P0.8 | 248 | 3.00 |
| 1" S | 4.25 | 0.51 | 0.94 | 1.36 | 3.00 | 6.81 | 0.75 | 1.85 | 1.85 | F04 | M5*P0.8 | 248 | 2.80 |
| 1-1/2" F | 5.28 | 0.51 | 1.50 | 1.93 | 4.61 | 9.74 | 1.50 | 3.03 | 3.39 | F07 | M8*P1.25 | 470 | 10.80 |
| 2" S | 6.22 | 0.63 | 1.97 | 2.41 | 4.61 | 9.74 | 1.50 | 3.23 | 3.39 | F07 | M8*P1.25 | 470 | 11.80 |

F: Full Port S: Standard Port

Note: Actual torque values may vary. Please consult factory.

**TOLL FREE (877) 423-2660 • (513) 752-5600 • FAX (513) 752-8267
EMAIL sales@ohiovalve.com • WEB www.ohiovalve.com**