

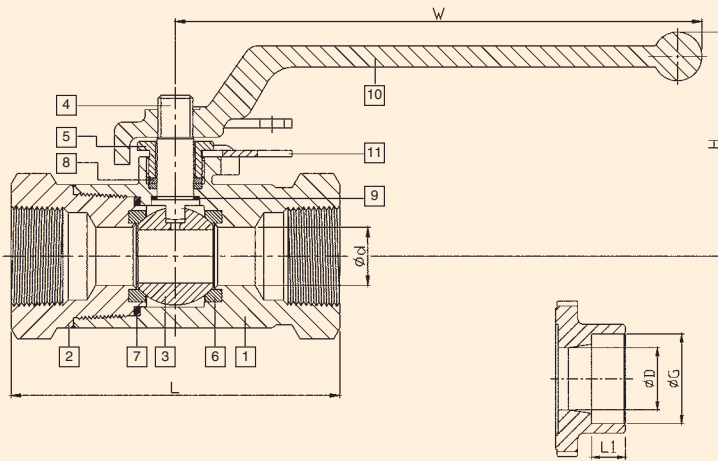
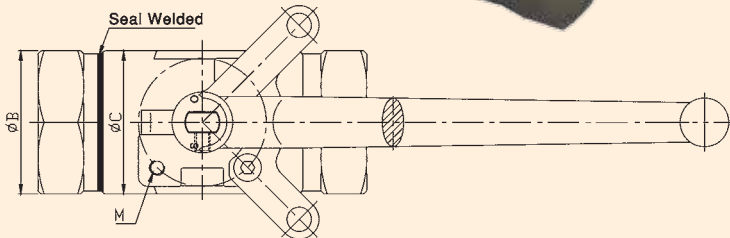
**2-Piece Carbon**

**OVC# 6256HP/6256HPW**

**Carbon Steel Ball Valve**

**2-Piece High Pressure Ball Valve, Seal-Welded,  
6000WOG, Threaded and Socket Weld**

Pressure/Temperature rating in accordance with ASME B 16.34. See Pressure/Temperature chart.



**Features**

- ISO 9002
- The thread ends conform to ASME B 1.20.1 (NPT)
- SW ends conform to ASME B 16.11
- Investment casting
- Blow-out proof stem
- Full or standard port
- 6000 psi W.O.G.
- Peek seats
- Graphite seal & packing
- Locking handle
- All valves tested and inspected to API-598
- **Seal welded end**
- **NACE MR0175**
- **API 607 Fire safe approved**

NO.	DESCRIPTION	MATERIAL
1	BODY	ASTM A216-WCB
2	CAP	ASTM A216-WCB
3	BALL	ASTM A351-CF8M
4	STEM	ASTM A276-316
5	GLAND NUT	AISI 304
6	SEAT	PEEK
7	SEAL	GRAPHITE
8	PACKING	GRAPHITE
9	THRUST WASHER	CTFE
10	HANDLE	AISI 304
11	LOCKING PAD	AISI 304

NPS	L	L1	D	G	H	W	d	B	C	ISO 5211	M	Torque (in-lb)	Weight (lb)
1/4" F	3.00	0.39	0.31	0.55	2.23	5.59	0.25	1.26	1.54	F03	M5*P0.8	80	1.50
3/8" F	3.00	0.39	0.39	0.71	2.23	5.59	0.25	1.26	1.54	F03	M5*P0.8	80	1.50
1/2" F	4.00	0.39	0.59	0.87	2.23	5.59	0.50	1.50	1.54	F03	M5*P0.8	80	2.00
3/4" F	4.25	0.51	0.79	1.08	3.00	6.81	0.75	1.85	2.05	F04	M5*P0.8	240	3.40
1" S	4.25	0.51	0.94	1.36	3.00	6.81	0.75	2.17	2.17	F04	M5*P0.8	240	5.90
1" F	4.80	0.51	0.94	1.36	3.27	6.81	1.00	2.17	2.68	F05	M6*P1.0	295	4.00
1-1/2" F	5.28	0.51	1.50	1.93	4.61	9.74	1.50	3.03	3.82	F07	M8*P1.25	455	13.40
2" S	6.22	0.63	1.97	2.41	4.61	9.74	1.50	3.62	3.82	F07	M8*P1.25	455	16.30

F: Full Port S: Standard Port

Note: Actual torque values may vary. Please consult factory.

**TOLL FREE (877) 423-2660 • (513) 752-5600 • FAX (513) 752-8267**  
**EMAIL sales@ohiovalve.com • WEB www.ohiovalve.com**