

## 316 Stainless Steel Ball Valve Direct Mount

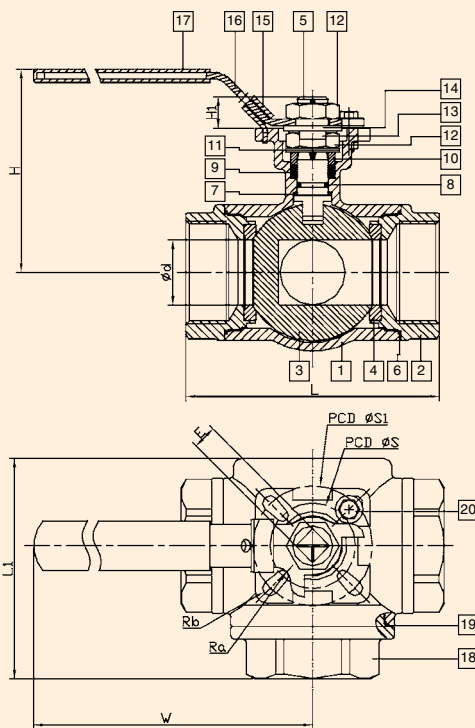
### 3-Way Standard Port Ball Valve, 1000WOG, T-Port, NPT Threaded Ends, with ISO Direct Mounting Pad and Locking Handle

Pressure/Temperature rating in accordance with ASME B 16.34. See Pressure/Temperature chart.



#### Features

- ISO 9002
- The thread ends conforms to ASME B 1.20.1 (NPT) ISO 228/1 & ISO 7/1
- Investment casting
- Standard port
- Blow out proof stem
- 1000 psi W.O.G.
- 15% glass fiberfill PTFE reinforced seat
- Seal, & packing PTFE
- Latch lock handle
- T port
- All valves tested and inspected to API-598



PORT TYPE	1	2	3	4
L	1/3 2/3	1/3 2/3	1/3 2/3	1/3 2/3
T	1/3 2/3	1/3 2/3	1/3 2/3	1/3 2/3

NO.	DESCRIPTION	MATERIAL
1	BODY	ASTM A351-CF8M
2	CAP-A	ASTM A351-CF8M
3	BALL	ASTM A351-CF8M
4	SEAT	PTFE
5	STEM	AISI 316
6	SEAL-A	PTFE
7	THRUST WASHER	PEEK + PTFE
8	O-RING	VITON
9	PACKING	PTFE
10	GLAND	AISI 304
11	BELLEVILLE	AISI 304
12	WASHER	AISI 304
13	STEM NUT	AISI 304
14	LOCKING WASHER	AISI 304
15	HANDLE WASHER	AISI 304
16	LOCKING DEVICE	AISI 304
17	HANDLE	PVC
18	HANDLE SLEEVE	ASTM A351-CF8M
19	CAP-B	PTFE
20	SEAL-B	AISI 304

SIZE	d	L	L1	H	W	S	S1	H1	E	Ra	Rb	ISO 5211	Torque (in-lb)	Weight (lb)
1/4"	0.46	2.99	2.3	2.87	4.84	1.42	1.65	0.35	0.35	0.12	0.12	3-4	89	1.5
3/8"	0.49	2.99	2.3	2.87	4.84	1.42	1.65	0.35	0.35	0.12	0.12	3-4	89	1.5
1/2"	0.49	2.99	2.3	2.87	4.84	1.42	1.65	0.35	0.35	0.12	0.12	3-4	89	1.5
3/4"	0.63	3.39	2.83	2.99	4.84	1.42	1.65	0.35	0.35	0.12	0.12	3-4	133	2.4
1"	0.79	3.9	3.21	3.43	6.02	1.65	1.97	0.43	0.43	0.12	0.14	4-5	195	3.5
1-1/4"	0.98	4.61	3.72	3.66	6.02	1.65	1.97	0.43	0.43	0.12	0.14	4-5	266	4.3
1-1/2"	1.26	4.88	4.09	4.33	7.20	1.97	2.76	0.55	0.55	0.14	0.18	5-7	416	7.7
2"	1.5	5.83	4.92	4.69	7.20	1.97	2.76	0.55	0.55	0.14	0.18	5-7	514	11.9

Note: Actual torque values may vary. Please consult factory.