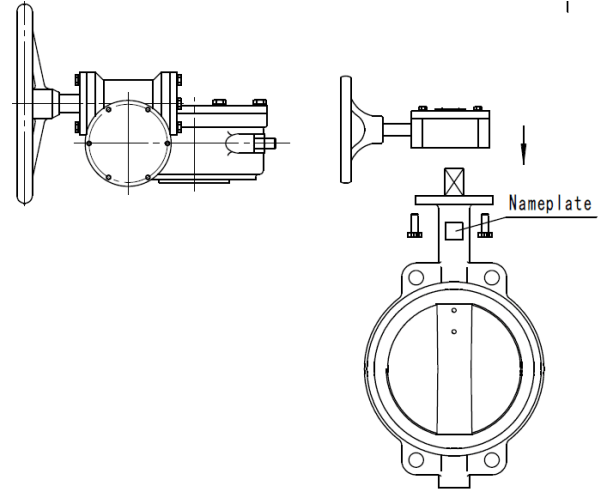


BUTTERFLY VALVE GEAR BOX

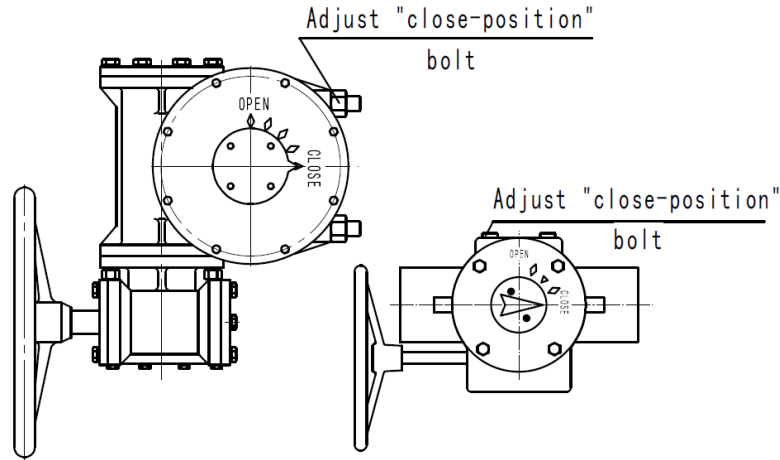
INSTALLATION INSTRUCTION AND STEPS

Gear box installation step and notes:

1. Lightly install the gear box on the valve stem, align the gear box bolt holes with the top flange bolt holes, then tighten the bolts.



2. Loosen the gear box “close-position” bolt, make the indicate point to the CLOSE position. Please close the valve completely, then tighten the “close-position” bolt.



3. Loosen the gear box “open-position” bolt, open the valve to 90°. Make the indicate point to the OPEN position, then tighten the “open-position” bolt.

