



"THE RIGHT CHOICE"



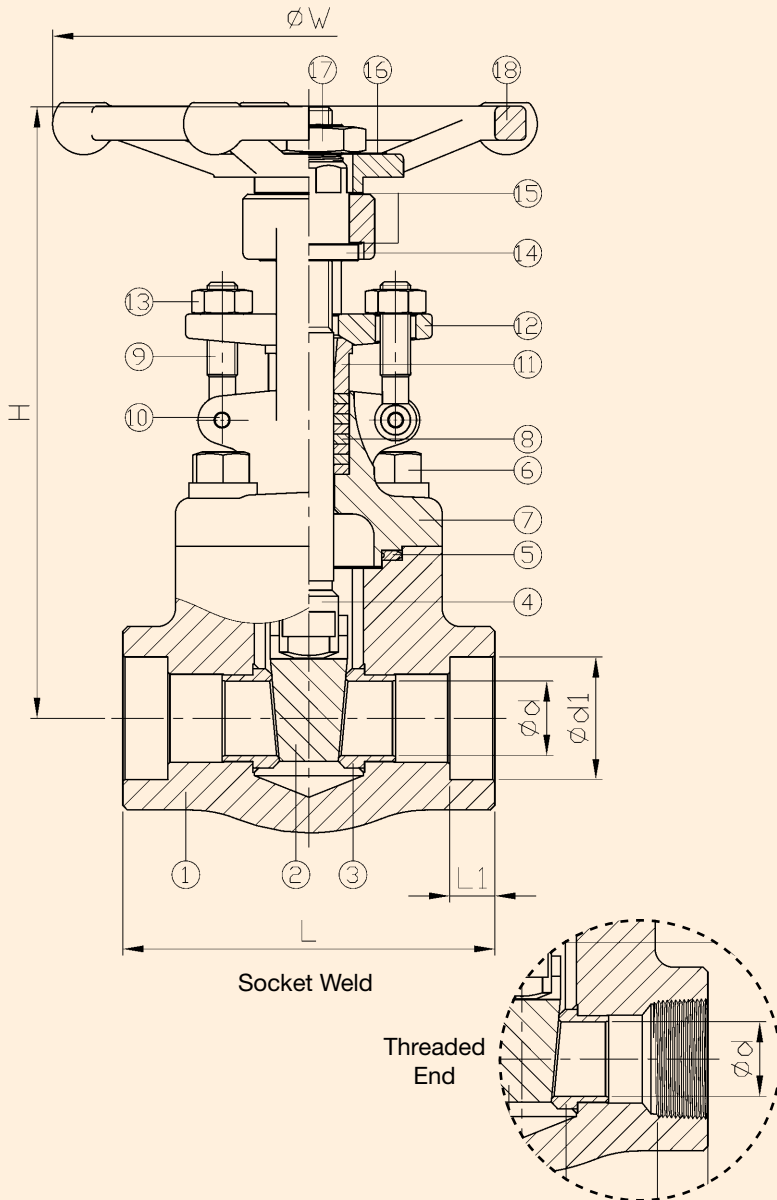
***Forged Steel Threaded,
Socket Weld, & Flanged
Gate, Globe, & Check Valves***

OVC# GA800SW/TE

Socket Weld End & Threaded End Forged Steel Gate Valve

Features

- Basic design: API 602
- Test: API 598
- Socket weld dimensions: ASME B16.11
- Screw end dimensions: ASME B1.20.1 (NPT)



NO.	DESCRIPTION	MATERIAL
1	BODY	ASTM A105
2	WEDGE	ASTM A276-420
3	SEAT	ASTM A276-410 + STELLITE
4	STEM	ASTM A276-410
5	GASKET	304 + GRAPHITE
6	BOLT	ASTM A193-B7
7	BONNET	ASTM A105
8	PACKING	GRAPHITE
9	EYE BOLT	ASTM A193-B7
10	PIN	ASTM A276-304
11	GLAND	ASTM A276-420
12	GLAND FLANGE	ASTM A216-WCB
13	NUT	ASTM A194-2H
14	STEM NUT	ASTM A276-410
15	WASHER	ASTM A276-410
16	NAMEPLATE	ALUMINUM
17	HANDWHEEL NUT	ASTM A108-1020
18	HANDWHEEL	ASTM A197

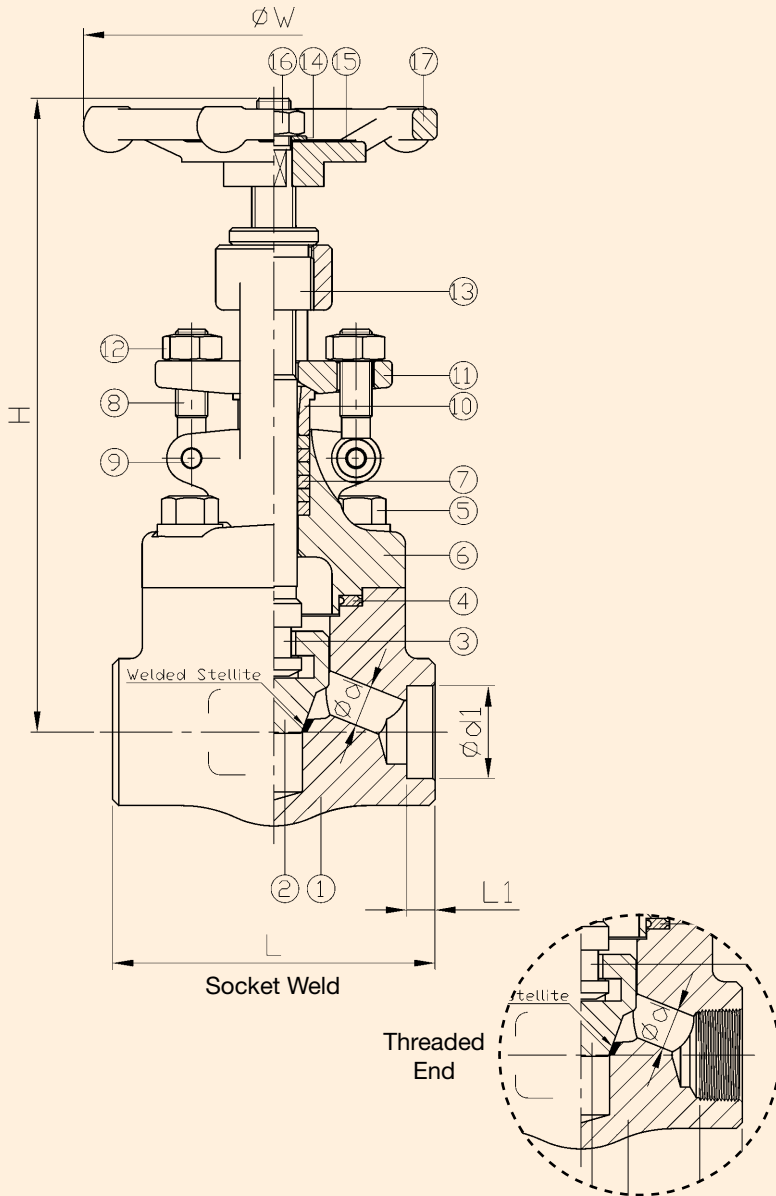
NPS	d	d1	L	L1	H OPEN	H CLOSE	W	Weight (lb)
1/4"	0.30	0.56	3.11	0.39	6.18	5.59	3.94	4.6
3/8"	0.37	0.69	3.11	0.39	6.18	5.59	3.94	4.6
1/2"	0.51	0.86	3.11	0.39	6.18	5.59	3.94	4.4
3/4"	0.51	1.07	3.62	0.51	6.18	5.59	3.94	4.9
1"	0.71	1.33	4.37	0.51	7.28	6.50	4.72	7.7
1-1/4"	0.94	1.68	4.72	0.51	8.90	7.87	6.30	11.7
1-1/2"	1.14	1.92	4.72	0.51	9.49	8.23	6.30	13.4
2"	1.44	2.41	5.51	0.63	10.59	9.02	8.66	21.1

OVC# GL800SW/TE

Socket Weld End & Threaded End Forged Steel Globe Valve

Features

- Basic design: API 602
- Test: API 598
- Socket weld dimensions: ASME B16.11
- Screw end dimensions: ASME B1.20.1 (NPT)



NO.	DESCRIPTION	MATERIAL
1	BODY	ASTM A105 + STELLITE
2	DISC	ASTM A276-420
3	STEM	ASTM A276-410
4	GASKET	304 + GRAPHITE
5	BOLT	ASTM A193-B7
6	BONNET	ASTM A105
7	PACKING	GRAPHITE
8	EYE BOLT	ASTM A 193-B7
9	PIN	ASTM A276-304
10	GLAND	ASTM A276-420
11	GLAND FLANGE	ASTM A216-WCB
12	NUT	ASTM A194-2H
13	STEM NUT	ASTM A276-410
14	WASHER	ASTM A276-410
15	NAMEPLATE	ALUMINUM
16	HANDWHEEL NUT	ASTM A108-1020
17	HANDWHEEL	ASTM A197

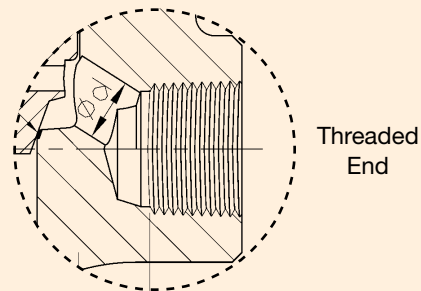
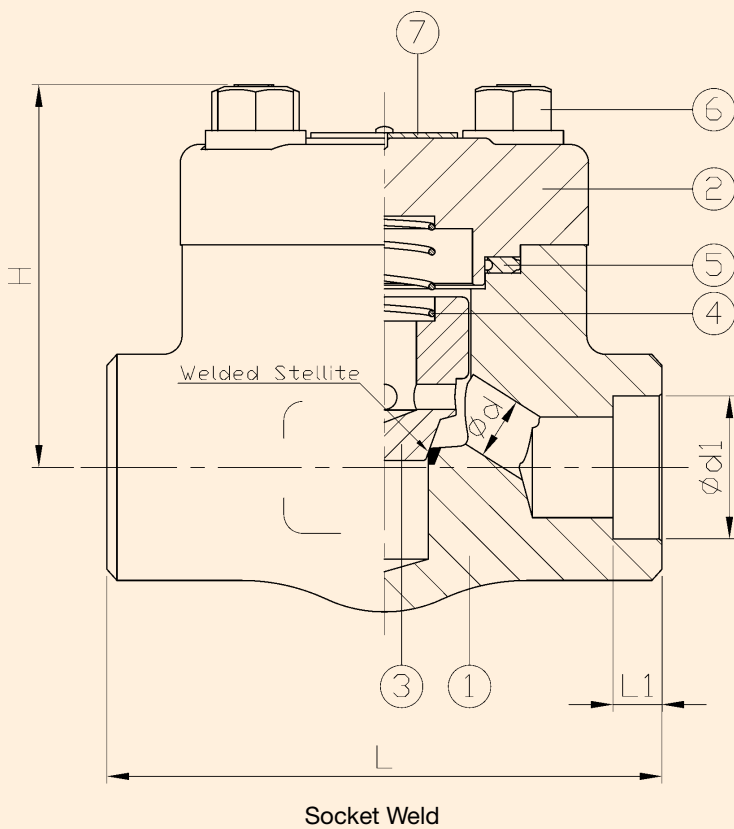
NPS	d	d1	L	L1	H OPEN	H CLOSE	W	Weight (lb)
1/4"	0.26	0.56	3.11	0.39	6.34	5.87	3.94	5.1
3/8"	0.37	0.69	3.11	0.39	6.34	5.87	3.94	5.1
1/2"	0.39	0.86	3.11	0.39	6.34	5.87	3.94	4.9
3/4"	0.51	1.07	3.62	0.51	6.34	5.87	3.94	5.3
1"	0.71	1.33	4.37	0.51	7.60	6.97	4.72	8.0
1-1/4"	0.91	1.68	4.72	0.51	9.06	8.35	6.30	13.2
1-1/2"	1.14	1.92	5.98	0.51	9.76	8.82	6.30	16.5
2"	1.42	2.41	6.77	0.63	11.10	10.16	8.66	24.8

OVC# PC800SW/TE

Socket Weld End & Threaded End Forged Steel Piston Check Valve

Features

- Basic design: API 602
- Test: API 598
- Socket weld dimensions: ASME B16.11
- Screw end dimensions: ASME B16.11



NO.	DESCRIPTION	MATERIAL
1	BODY	ASTM A105 + STELLITE
2	CAP	ASTM A105
3	DISC	ASTM A276-420
4	SPRING	SS 304
5	GASKET	304 + GRAPHITE
6	BOLT	ASTM A193-B7
7	NAMEPLATE	ALUMINUM

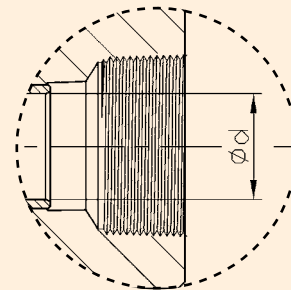
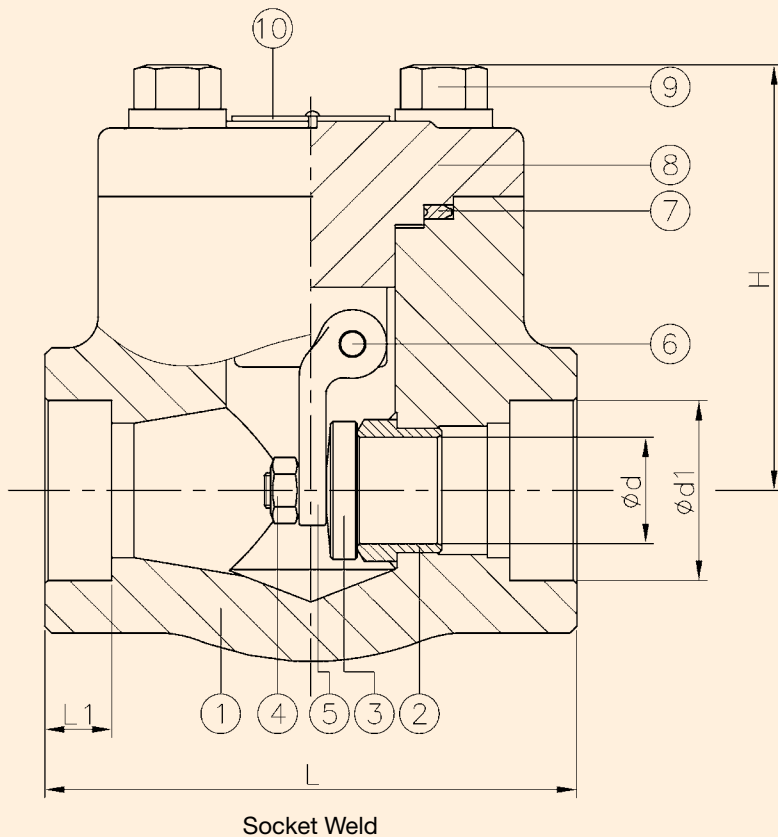
NPS	d	d1	L	L1	H	Weight (lb)
1/4"	0.26	0.56	3.11	0.39	2.28	3.5
3/8"	0.37	0.69	3.11	0.39	2.28	3.5
1/2"	0.39	0.86	3.11	0.39	2.28	3.3
3/4"	0.51	1.07	3.62	0.51	2.28	3.7
1"	0.71	1.33	4.37	0.51	2.95	5.8
1-1/4"	0.91	1.68	4.72	0.51	3.35	8.4
1-1/2"	1.14	1.92	5.98	0.51	3.82	9.9
2"	1.42	2.41	6.77	0.63	4.25	19.8

OVC# SC800SW/TE

Socket Weld End & Threaded End Forged Steel Swing Check Valve

Features

- Basic design: API 602
- Test: API 598
- Socket weld dimensions: ASME B16.11
- Screw end dimensions: ASME B16.11



Threaded End

NO.	DESCRIPTION	MATERIAL
1	BODY	ASTM A105N
2	SEAT	ASTM A276-410 + STL
3	DISC	ASTM A276-420
4	NUT	ASTM A194-8
5	CARRIER	ASTM A351-CF8
6	PIN	ASTM A276-304
7	GASKET	304 + GRAPHITE
8	CAP	ASTM A105N
9	BOLT	ASTM A193-B7
10	NAMEPLATE	ALUMINUM

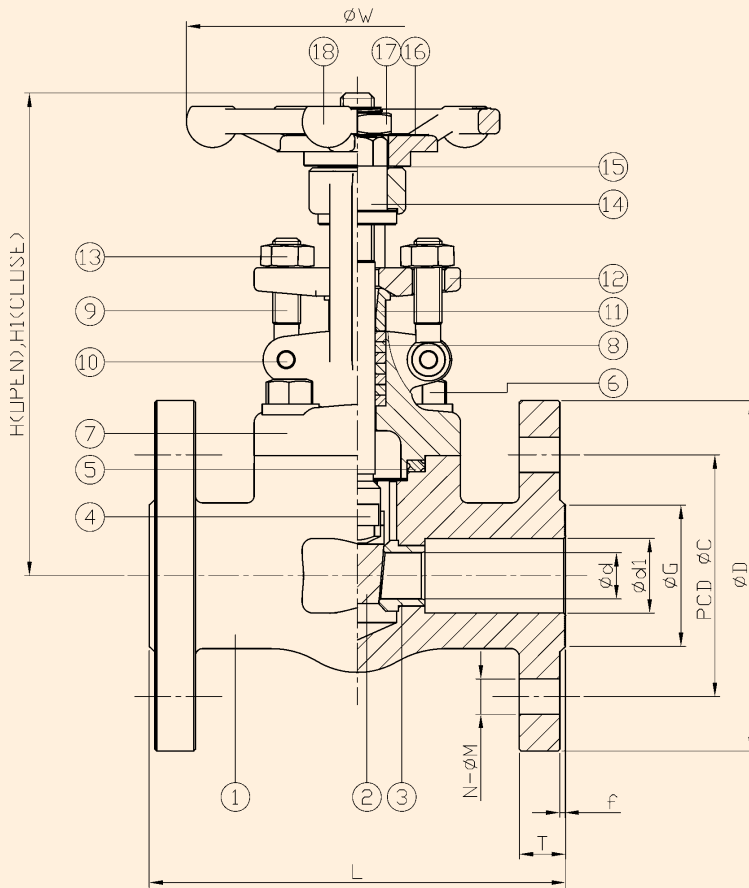
NPS	d	d1	L	L1	H	Weight (lb)
1/4"	0.30	0.56	3.11	0.39	2.28	3.3
3/8"	0.37	0.69	3.11	0.39	2.28	3.3
1/2"	0.51	0.86	3.11	0.39	2.28	3.1
3/4"	0.51	1.07	3.62	0.51	2.28	3.7
1"	0.71	1.33	4.37	0.51	2.95	5.5
1-1/4"	0.94	1.68	4.72	0.51	3.27	8.0
1-1/2"	1.14	1.92	4.72	0.51	3.70	9.7
2"	1.44	2.41	5.51	0.63	4.21	16.1

OVC# GA150FE

Class 150 Forged Steel Flanged End Gate Valve

Features

- Design and manufacture: API 602 & ASME 16.34
- Test: API 598
- Flange end dimensions: ASME B16.5
- Face to face: ASME B16.10



NO.	DESCRIPTION	MATERIAL
1	BODY	ASTM A105
2	WEDGE	ASTM A276-420
3	SEAT RING	ASTM A276-410 + STL
4	STEM	ASTM A276-410
5	GASKET	304 + GRAPHITE
6	BOLT	ASTM A193-B7
7	BONNET	ASTM A105
8	PACKING	GRAPHITE
9	EYE BOLT	ASTM A193-B7
10	PIN	ASTM A276-304
11	GLAND	ASTM A276-420
12	GLAND FLANGE	ASTM A216-WCB
13	NUT	ASTM A194-2H
14	STEM NUT	ASTM A276-410
15	WASHER	ASTM A276-410
16	NAMEPLATE	ALUMINUM
17	HANDWHEEL NUT	ASTM A108-1020
18	HANDWHEEL	ASTM A197

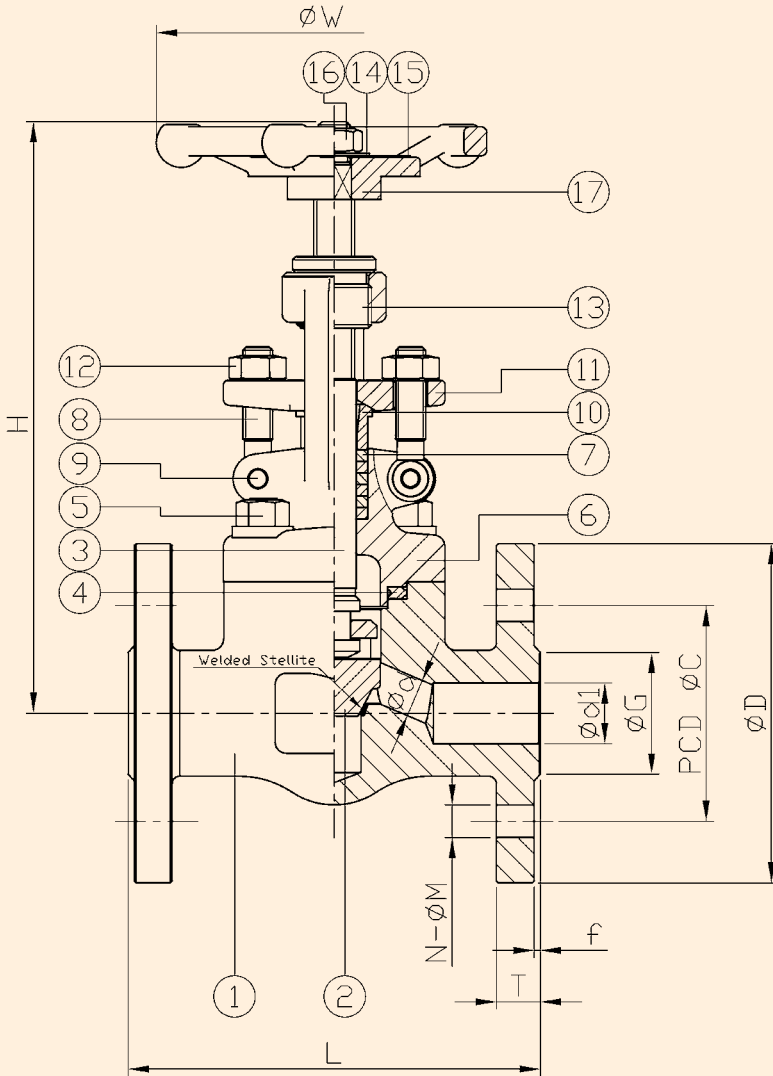
NPS	d	d1	G	C	D	L	H	H1	W	T	f	N	M	Weight (lb)
1/2"	0.37	0.63	1.37	2.37	3.54	4.25	6.02	5.51	3.94	0.45	0.06	4	0.63	6.3
3/4"	0.51	0.83	1.69	2.75	3.94	4.61	6.18	5.59	3.94	0.51	0.06	4	0.63	7.1
1"	0.71	1.04	2.00	3.13	4.33	5.00	7.28	6.50	4.72	0.57	0.06	4	0.63	11.5
1 1/4"	0.94	1.38	2.50	3.50	4.53	5.51	8.90	7.87	6.30	0.63	0.06	4	0.63	17.1
1 1/2"	1.14	1.61	2.87	3.87	4.92	6.50	9.49	8.27	6.30	0.69	0.06	4	0.63	19.8
2"	1.44	2.07	3.62	4.75	5.91	7.01	11.02	9.49	8.66	0.77	0.06	4	0.75	34.2

OVC# GL150FE

Class 150 Forged Steel Flanged End Globe Valve

Features

- Design and manufacture: API 602 & ASME 16.34
- Test: API 598
- Flange end dimensions: ASME B16.5
- Face to face: ASME B16.10



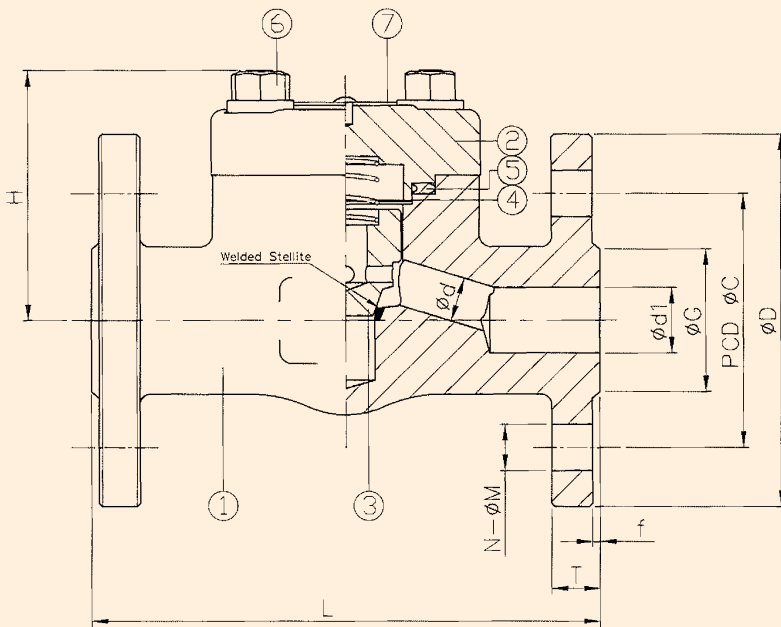
NO.	DESCRIPTION	MATERIAL
1	BODY	ASTM A105 + STELLITE
2	DISC	ASTM A276-420
3	STEM	ASTM A276-410
4	GASKET	304 + GRAPHITE
5	BOLT	ASTM A193-B7
6	BONNET	ASTM A105N
7	PACKING	GRAPHITE
8	EYE BOLT	ASTM A193-B7
9	PIN	ASTM A276-304
10	GLAND	ASTM A276-420
11	GLAND FLANGE	ASTM A216-WCB
12	NUT	ASTM A194-2H
13	STEM NUT	ASTM A276-410
14	WASHER	ASTM A276-410
15	NAMEPLATE	ALUMINUM
16	HANDWHEEL NUT	ASTM A108-1020
17	HANDWHEEL	ASTM A197

NPS	d	d1	G	C	D	L	H	H1	W	T	f	N	M	Weight (lb)
1/2"	0.39	0.63	1.39	2.37	3.54	4.25	6.34	5.87	3.94	0.45	0.06	4	0.63	6.4
3/4"	0.51	0.83	1.69	2.75	3.94	4.61	6.34	5.87	3.94	0.51	0.06	4	0.63	7.7
1"	0.71	1.04	2.00	3.13	4.33	5.00	7.60	6.97	4.72	0.57	0.06	4	0.63	11.4
1-1/4"	0.91	1.38	2.50	3.50	4.53	5.51	9.06	8.35	6.30	0.63	0.06	4	0.63	17.2
1-1/2"	1.14	1.61	2.87	3.87	4.92	6.50	9.76	8.82	6.30	0.69	0.06	4	0.63	21.5
2"	1.44	2.07	3.62	4.75	5.91	7.99	11.42	10.08	8.66	0.77	0.06	4	0.75	36.4

OVC# PC150FE *Class 150 Forged Steel Flanged End Piston Check Valve*

Features

- Design and manufacture: API 602 & ASME 16.34
- Test: API 598
- End flanged dimensions: ASME B16.5
- Face to face: ASME B16.10



NO.	DESCRIPTION	MATERIAL
1	BODY	ASTM A105 + STELLITE
2	CAP	ASTM A105
3	DISC	ASTM A276-420
4	SPRING	SS 304
5	GASKET	SS 304 + GRAPHITE
6	BOLT	ASTM A193-B7
7	NAMEPLATE	ALUMINUM

NPS	d	d1	G	C	D	L	H	T	f	N	M	Weight (lb)
1/2"	0.39	0.63	1.37	2.37	3.54	4.25	2.2	0.45	0.06	4	0.63	4.9
3/4"	0.51	0.83	1.69	2.75	3.94	4.61	2.2	0.51	0.06	4	0.63	6.1
1"	0.71	1.04	2	3.13	4.33	5	2.95	0.57	0.06	4	0.63	9.3
1-1/4"	0.91	1.38	2.50	3.50	4.53	5.51	3.35	0.63	0.06	4	0.63	13.4
1-1/2"	1.14	1.61	2.87	3.87	4.92	6.5	3.82	0.69	0.06	4	0.63	16.5
2"	1.42	2.07	3.62	4.75	5.91	7.99	4.65	0.77	0.06	4	0.75	24.3